

Canon SERVICE INFORMATION

Issued by Office Imaging Products Quality Assurance Center, Canon Inc.

MODEL: **PAPER DECK - A1/B1/C1/M1/N1**

No. : F-04-E01005/J01005

DATE : AUG.,2001

J. Sakai

LOCATION

SUBJECT : Revised Parts Catalog

We are issuing revised Parts Catalog. Please go over the descriptions that follow for the catalog.

The catalog has been revised to accommodate the addition of new models PAPER DECK - N1.

Particulars

Name of Parts Catalog: PAPER DECK - A1/B1/C1/M1/N1

Type of Revision : Full revision

Kindly replace the previous with the one being issued.

FY8-31D2-04Y

Printed in Japan
Imprim au Japon

R E V I S I O N P A G E L I S T

Model : PAPER DECK - A1/B1/C1/M1/N1

Page 2

→ : No modification

R : Replacement

S : Supplement

D : Destroyed

OLD		REVI- SION	NEW	
FIGURE	PAGE		FIGURE	PAGE
RA	1	→	RA	1
	2	→		2
	3	R		3
R01	1	→	R01	1
	2	→		2
R02	1	→	R02	1
	2	R		2
R03	1	→	R03	1
	2	→		2
R04	1	→	R04	1
	2	R		2
	3	→		3
R05	1	→	R05	1
	2	R		2
R10	1	R	R10	1
	2	R		2
	3	R		3
R11	1	→	R11	1
	2	R		2
	3	→		3
R12	1	R	R12	1
	2	R		2

OLD		REVI- SION	NEW	
FIGURE	PAGE		FIGURE	PAGE
R12	3	R	R12	3
		S		4
R30	1	→	R30	1
	2	→		2
	3	→		3
R31	1	R	R31	1
	2	R		2
	3	R		3
	4	R		4
R35	1	→	R35	1
	2	→		2
R36	1	R	R36	1
	2	R		2
	3	R		3
R40	1	→	R40	1
	2	R		2
	3	→		3
	4	→		4
R41	1	R	R41	1
	2	R		2
	3	R		3
	4	R		4
		S	R42	1

PAPER DECK - A1/B1/C1/M1/N1

PARTS CATALOG

REVISION 4

Canon

AUG. 2001

FY8-31D2-040

PREFACE

This Parts Catalog contains listings of parts used in the PAPER DECK - A1/B1/C1/M1/N1. Diagrams are provided with the listings to aid the service technician in identifying clearly, the item to be ordered.

Whenever ordering parts, consult this Parts Catalog for all of the information pertaining to each item. Be sure to include, in the Parts Request, the full item description, the item part number and the quantity.

Canon Inc.

Office Imaging Products Quality Assurance Center
5-1, Hakusan 7-chome,
Toride-city, Ibaraki 302-8501, Japan

COPYRIGHT © 2001 CANON INC.

Printed in Japan
Imprimé au Japon

LIST OF SERIAL NUMBER

PAPER DECK - A1

A/B SIZE	F24-6301	ZHY00001-
INCH SIZE	F24-6311	ZHZ00001-

PAPER DECK - B1

A/B SIZE	F24-6305	ZLP00001-
INCH SIZE	F24-6315	ZPT00001-

PAPER DECK - C1

A/B SIZE	F24-6303	ZQY00001-
INCH SIZE	F24-6313	ZQZ00001-

PAPER DECK - M1

A/B SIZE	F25-8301	XCB00001-
INCH SIZE	F25-8311	XCE00001-

PAPER DECK - N1

A/B SIZE	F26-0101	XHD00001-
INCH SIZE	F26-0111	XHE00001-

CONTENTS

- RA. ASSEMBLY LOCATION DIAGRAM**

- R01. MOUNTING HARDWARE 1 (A1 TYPE)**
- R02. MOUNTING HARDWARE 2 (A1 TYPE)**
- R03. MOUNTING HARDWARE 1 (B1 TYPE)**
- R04. MOUNTING HARDWARE 2 (B1 TYPE)**
- R05. MOUNTING HARDWARE (C1/M1/N1 TYPE)**

- R10. EXTERNAL COVERS, PANELS, ETC.**
- R11. INTERNAL COMPONENTS (A1 TYPE)**
- R12. INTERNAL COMPONENTS (B1/C1/M1/N1 TYPE)**

- R30. PAPER STOCK ASSEMBLY (A1 TYPE)**
- R31. PAPER STOCK ASSEMBLY (B1/C1/M1/N1 TYPE)**
- R35. PAPER DECK HEATER ASSEMBLY (ACCESSORY)
HEATER KIT 10/14**
- R36. PAPER DECK HEATER ASSEMBLY (ACCESSORY)
HEATER KIT 11/16/23**

- R40. PAPER PICK-UP ASSEMBLY (A1 TYPE)**
- R41. PAPER PICK-UP ASSEMBLY (B1/C1/M1 TYPE)**
- R42. PAPER PICK-UP ASSEMBLY (N1 TYPE)**

- RB1. LIST OF CONNECTORS (A1 TYPE)**
- RB2. LIST OF CONNECTORS (B1/C1/M1/N1 TYPE)**

- C. LIST OF STANDARD FASTENERS**

- D. NUMERICAL INDEX**

FIGURE RA ASSEMBLY LOCATION DIAGRAM(1/3)

PAPER DECK-A1

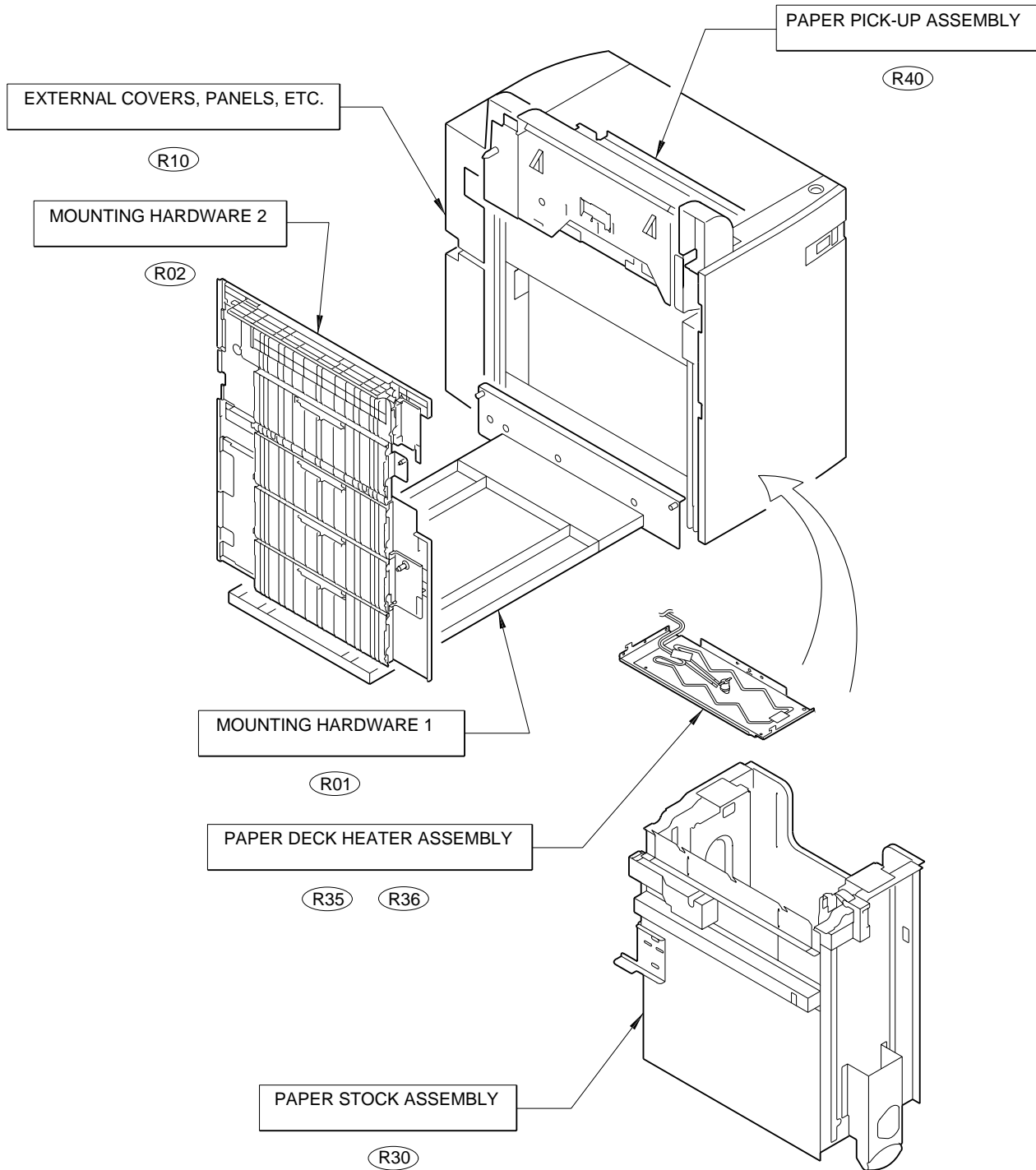


FIGURE RA ASSEMBLY LOCATION DIAGRAM(2/3)

PAPER DECK-B1

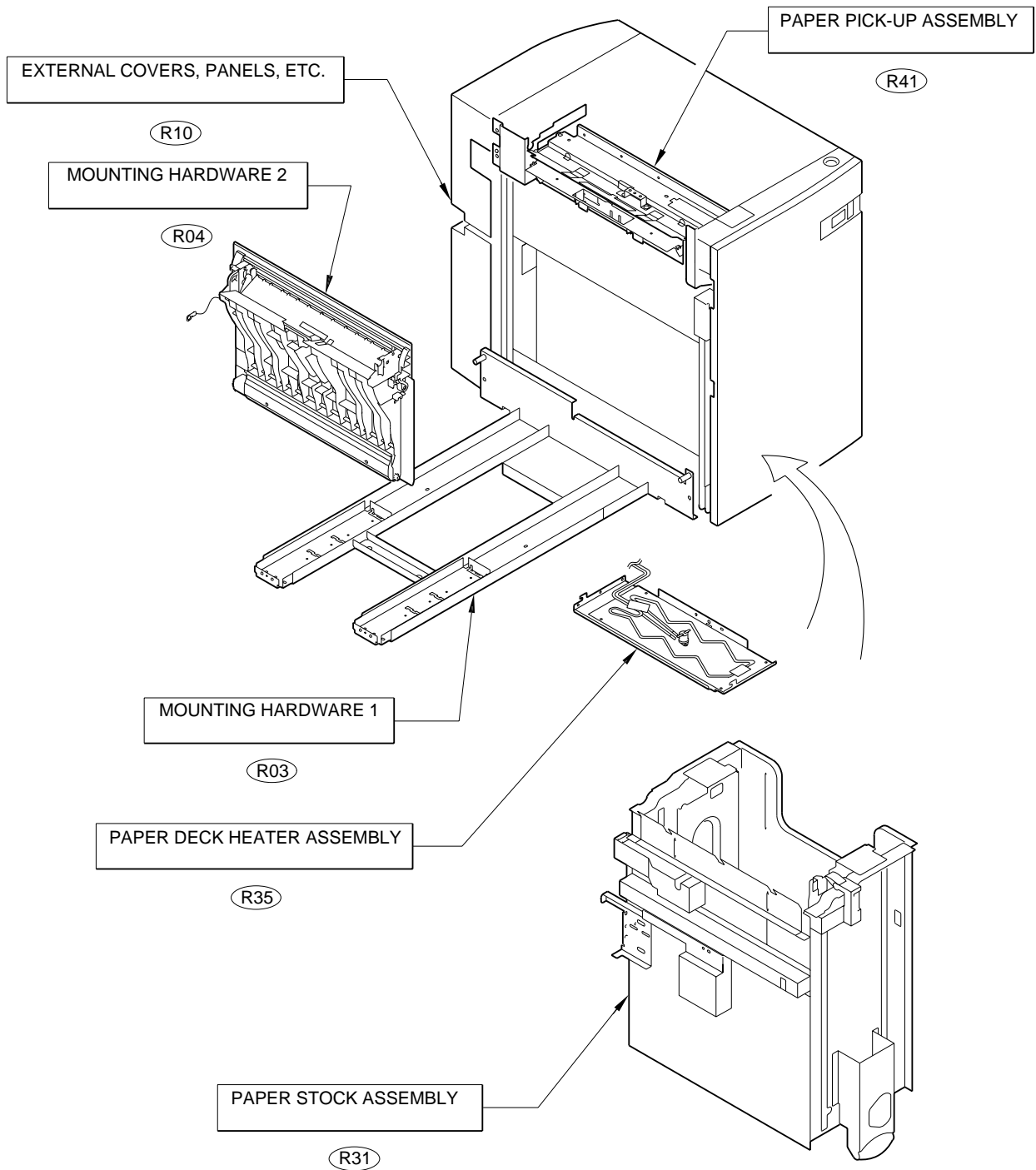


FIGURE RA ASSEMBLY LOCATION DIAGRAM(3/3)

PAPER DECK-C1/M1/N1

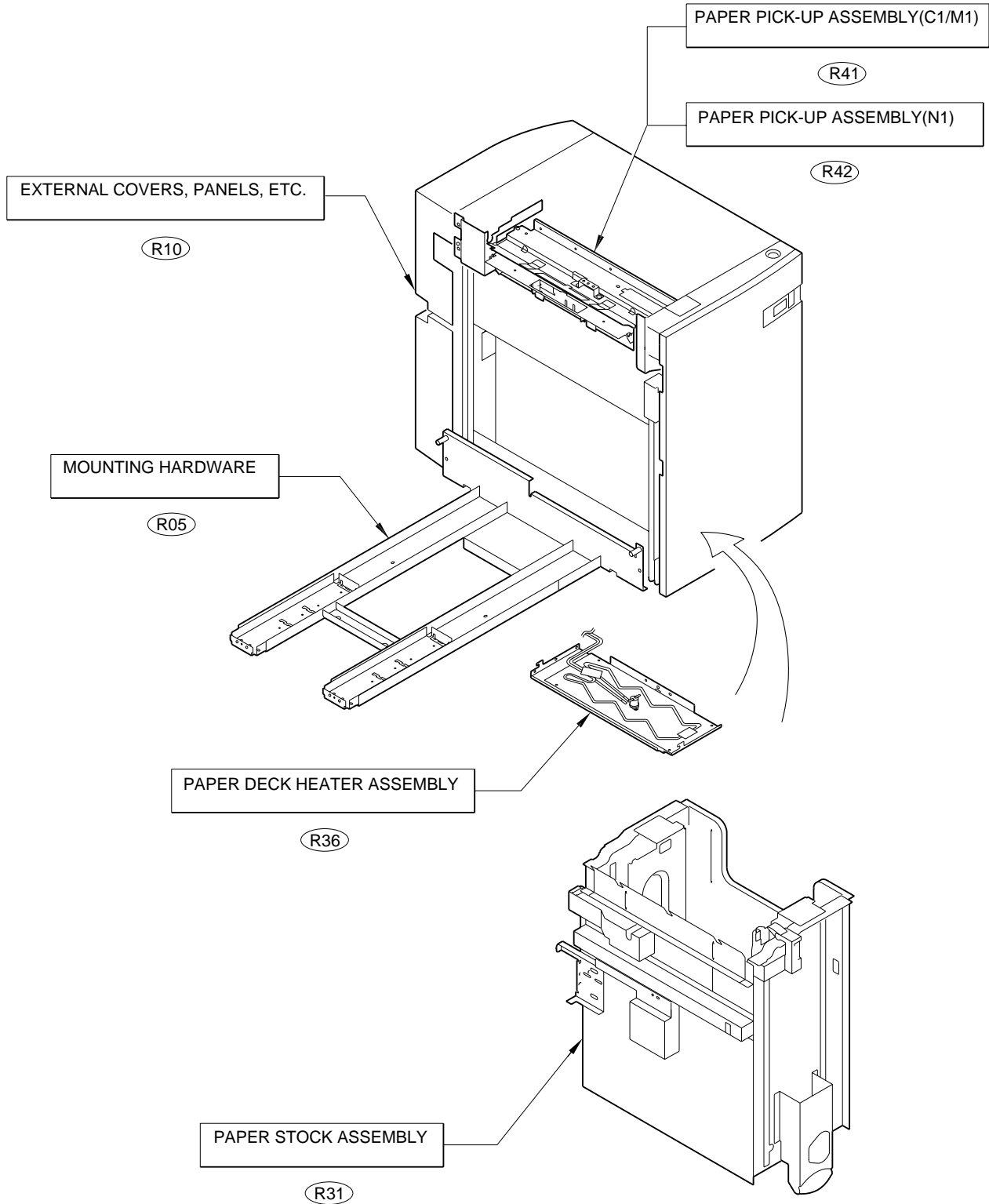


FIGURE R01 MOUNTING HARDWARE 1 (A1 TYPE)

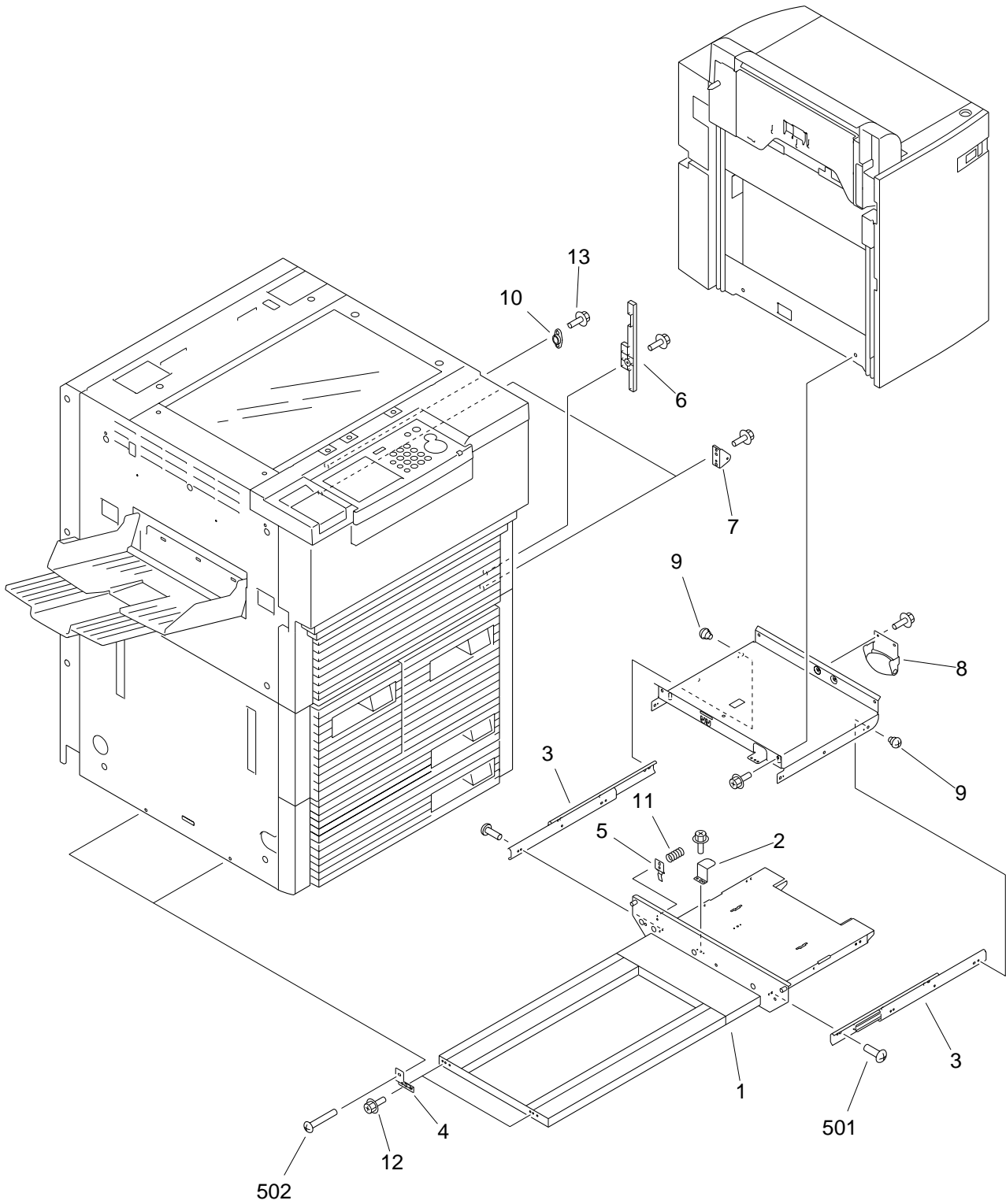


FIGURE & KEY NO.	PART NUMBER	RANK	QTY	DESCRIPTION	SERIAL NUMBER / REMARKS
R01 -	NPN		RF	MOUNTING HARDWARE 1	A1 TYPE
1	FB3 - 9265 - 000	N	1	CROSSMEMBER, BOTTOM	
2	FB3 - 9267 - 000		1	PLATE, DECK SENSOR FLAG	
3	FB3 - 9268 - 000		2	RAIL, FRAME SLIDE	
4	FB3 - 9718 - 000		2	PLATE, CROSSMEMBER SUPPORT	
5	FB3 - 9746 - 000		1	SPRING, LEAF	
6	FB3 - 9889 - 000		1	COVER, SIDE	
7	FF5 - 6149 - 000		2	PLATE, LATCH	
8	FF5 - 6156 - 000		1	SUPPORT, ROLLER	
9	FS1 - 9002 - 000		3	SCREW, STEPPED, M4	
10	FS5 - 1469 - 020		1	BUSHING, 1	
11	FS6 - 2679 - 000		1	SPRING, COMPRESSION	
12	XA9 - 0732 - 000		4	SCREW, RS, M4X8	
13	XA9 - 0732 - 000		AR	SCREW, RS, M4X8	
501	XB1 - 2400 - 609		9	SCREW, MACH., TRUSS HEAD, M4X6	
502	XB1 - 2401 - 207		1	SCREW, MACH., TRUSS HEAD, M4X12	

FIGURE R02 MOUNTING HARDWARE 2 (A1 TYPE)

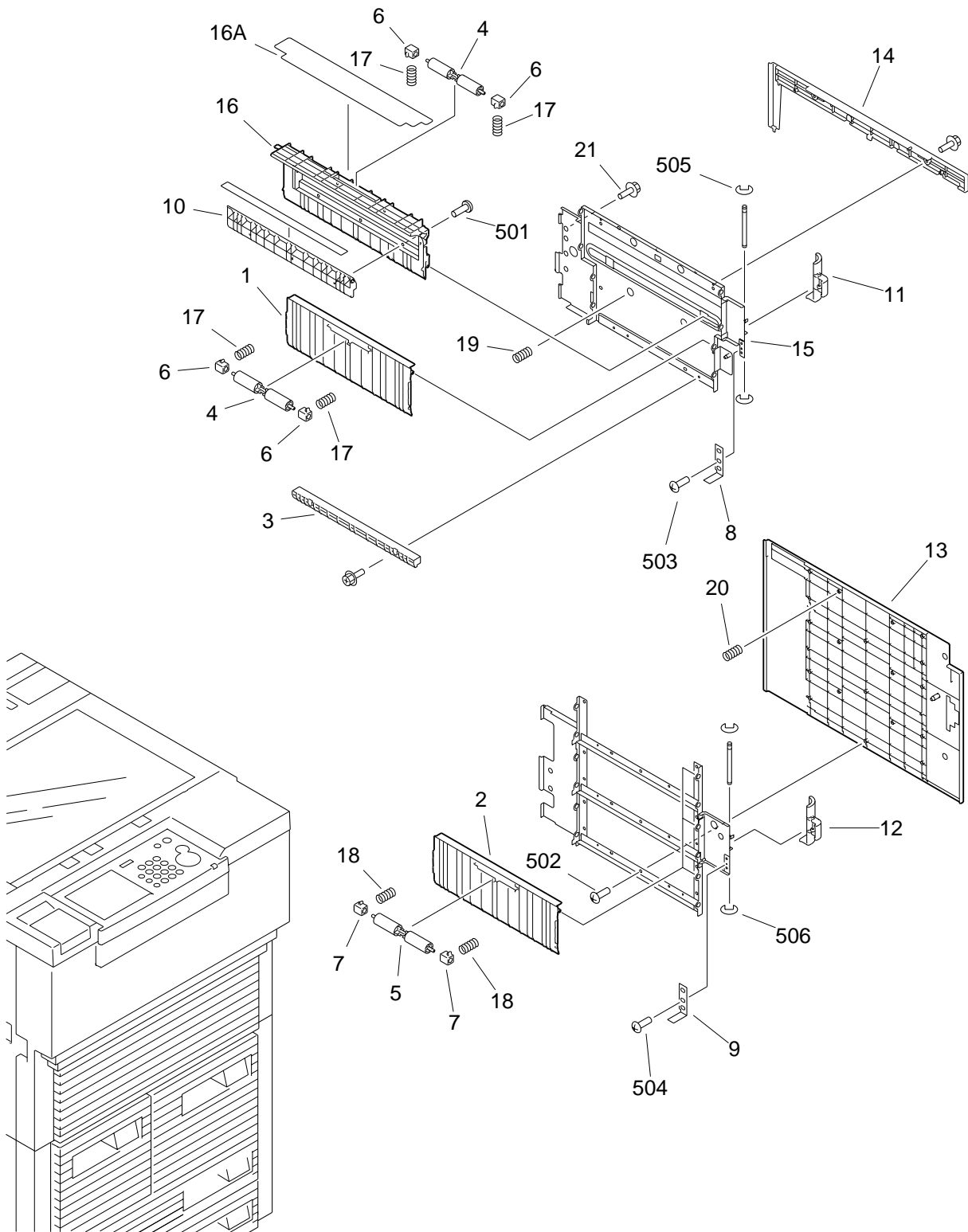


FIGURE & KEY NO.	PART NUMBER	RANK	QTY	DESCRIPTION	SERIAL NUMBER / REMARKS
R02 -	NPN		RF	MOUNTING HARDWARE 2	A1 TYPE
1	FB2 - 7750 - 000		1	GUIDE, VERTICAL PATH SWING	
2	FB2 - 7750 - 000		3	GUIDE, VERTICAL PATH SWING	
3	FB2 - 7751 - 000		1	GUIDE, VERTICAL PATH SUPPORT	
4	FB2 - 7754 - 030		2	ROLLER	
5	FB2 - 7754 - 030		3	ROLLER	
6	FB2 - 7755 - 000		4	BUSHING	
7	FB2 - 7755 - 000		6	BUSHING	
8	FB2 - 8507 - 000		1	FLAG, RIGHT DOOR	
9	FB2 - 8507 - 000		1	FLAG, RIGHT DOOR	
10	FB3 - 9883 - 000		1	GUIDE, SWING AUXILIARY	
11	FB3 - 9884 - 000		1	HANDLE, RIGHT DOOR	
12	FB3 - 9884 - 000		1	HANDLE, RIGHT DOOR	
13	FB3 - 9886 - 000		1	RIGHT DOOR, UNDER	
14	FB3 - 9888 - 000		1	COVER, RIGHT DOOR, UPPER	
15	FF5 - 6300 - 000		1	FRAME, RIGHT DOOR, UPPER	
16	FF5 - 6307 - 000		1	GUIDE, REGISTRATION, SWING	
16 A	FB2 - 7768 - 000		1	DAMPER	
17	FS5 - 2921 - 000		4	SPRING, COMPRESSION	
18	FS5 - 2921 - 000		6	SPRING, COMPRESSION	
19	FS5 - 2922 - 000		4	SPRING, COMPRESSION	
20	FS5 - 2922 - 000		6	SPRING, COMPRESSION	
21	XA9 - 0732 - 000		4	SCREW,RS,M4X8	
501	XB4 - 7400 - 609		3	SCREW,TAPPING,TRUSS HEAD,M4X6	
502	XB4 - 7400 - 609		11	SCREW,TAPPING,TRUSS HEAD,M4X6	
503	XB6 - 7300 - 309		1	SCREW,TP,M3X3	
504	XB6 - 7300 - 309		1	SCREW,TP,M3X3	
505	XD2 - 1100 - 242		2	RING,E	
506	XD2 - 1100 - 242		2	RING,E	

FIGURE R03 MOUNTING HARDWARE 1 (B1 TYPE)

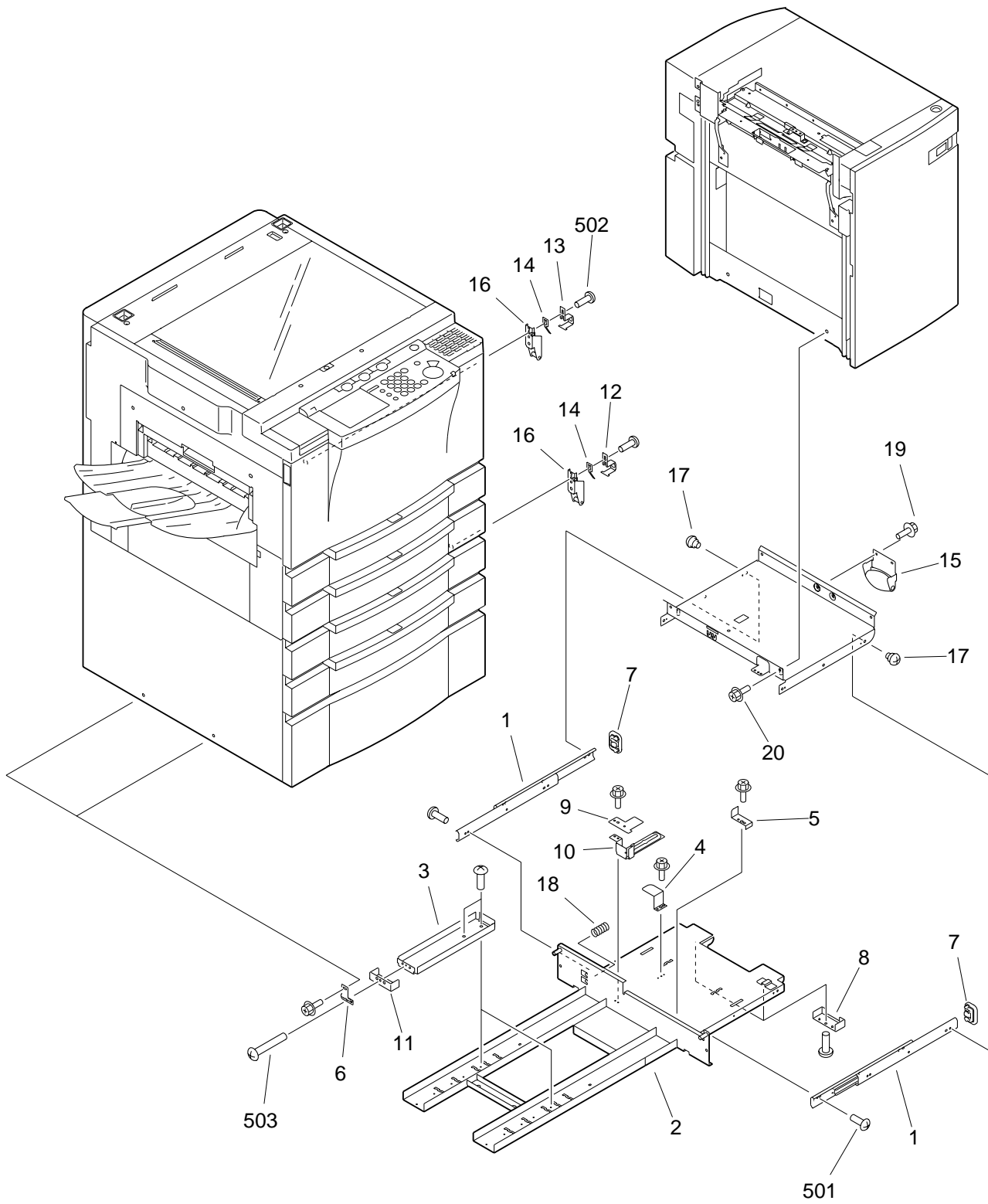


FIGURE & KEY NO.	PART NUMBER	RANK	QTY	DESCRIPTION	SERIAL NUMBER / REMARKS
R03 -	NPN		RF	MOUNTING HARDWARE 1	B1 TYPE
1	FB4 - 4867 - 000		2	RAIL, FRAME SLIDE	
2	FB4 - 4915 - 000	N	1	CROSSMEMBER, BOTTOM	
3	FB4 - 4916 - 000		2	PLATE, CROSS. BOTTOM EXTENSION	
4	FB4 - 4918 - 000		1	PLATE, DECK SENSOR FLAG	
5	FB4 - 4919 - 000		1	PLATE, DECK STOPPER	
6	FB4 - 4920 - 000		2	PLATE, CROSSMEMBER SUPPORT	
7	FB4 - 4932 - 000		2	CAP, RAIL	
8	FB4 - 4933 - 000		2	COVER, BOTTOM CROSSMEMBER	
9	FB4 - 4937 - 000		1	FLAG, SLIDE, UPPER	
10	FB4 - 4938 - 000		1	FLAG, SLIDE, LOWER	
11	FB4 - 4939 - 000		2	COVER, BOTTOM CROSSMEMBER, 2	
12	FB4 - 6576 - 000		1	PLATE, LATCH, FRONT	
13	FB4 - 6577 - 000		1	PLATE, LATCH, REAR	
14	FB4 - 6578 - 000		2	SPRING, LEAF	
15	FF5 - 6156 - 000		1	SUPPORT, ROLLER	
16	FF5 - 7511 - 000		2	PLATE, LATCH	
17	FS1 - 9002 - 000		3	SCREW, STEPPED, M4	
18	FS6 - 2897 - 000		1	SPRING, COMPRESSION	
19	XA9 - 0732 - 000		5	SCREW, RS, M4X8	
20	XA9 - 0732 - 000		AR	SCREW, RS, M4X8	
501	XB1 - 2400 - 609		15	SCREW, MACH., TRUSS HEAD, M4X6	
502	XB1 - 2400 - 809		2	SCREW, MACH., TRUSS HEAD, M4X8	
503	XB1 - 2401 - 207		2	SCREW, MACH., TRUSS HEAD, M4X12	

FIGURE R04 MOUNTING HARDWARE 2 (B1 TYPE)

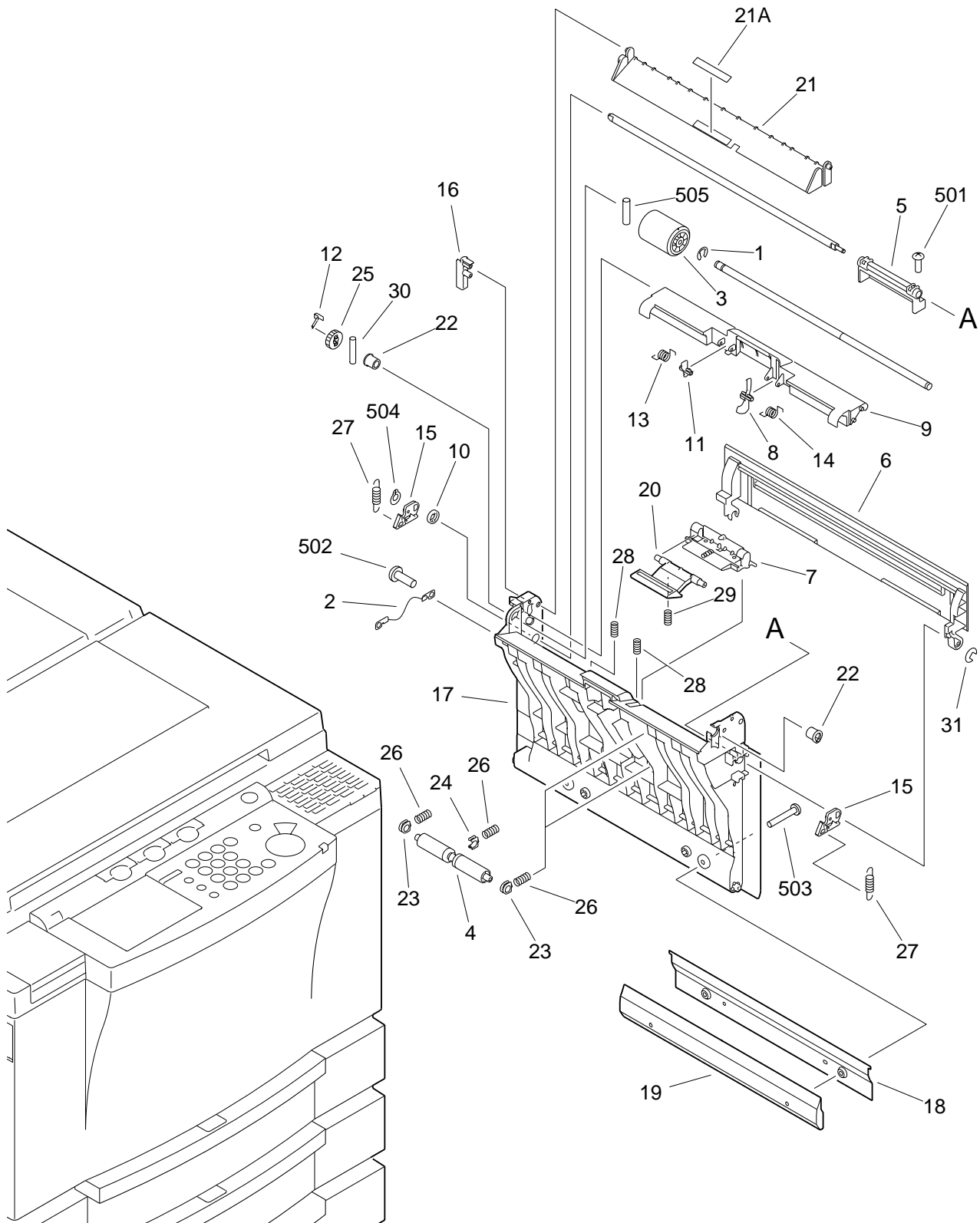


FIGURE & KEY NO.	PART NUMBER	RANK	QTY	DESCRIPTION	SERIAL NUMBER / REMARKS
R04 -	NPN		RF	MOUNTING HARDWARE 2	B1 TYPE
1	FA4 - 1159 - 000		1	RING, RETAINING	
2	FB1 - 8439 - 000		1	WIRE, DOOR SUPPORT	
3	FB1 - 8581 - 000		1	ROLLER, MULTI FEED	
4	FB3 - 2811 - 000		2	ROLLER, BELT IDLER	
5	FB3 - 2812 - 000		1	HANDLE, RIGHT DOOR	
6	FB3 - 2814 - 000		1	DOOR, RIGHT, UPPER	
7	FB3 - 2815 - 000		1	ARM, MULTI FEED, 1	
8	FB3 - 2818 - 020		1	FLAG, PAPER SENSOR, 1	
9	FB3 - 2819 - 000		1	COVER, MULTI FEED ROLLER	
10	FB3 - 2821 - 000		1	BUSHING	
11	FB3 - 2833 - 000		1	FLAG, PAPER SENSOR, 2	
12	FB3 - 2834 - 000		1	PLATE, MULTI ROLLER GROUNDING	
13	FB3 - 2835 - 000		1	SPRING, TORSION	
14	FB4 - 3170 - 000		1	SPRING, TORSION	
15	FB4 - 3328 - 000		2	HOOK, RIGHT DOOR	
16	FB4 - 3329 - 000		1	ARM, CAM FOLLOWER	
17	FB4 - 6572 - 000		1	DOOR, RIGHT	
18	FB4 - 6573 - 000		1	PLATE, INNER PAPER	
19	FB4 - 6574 - 000		1	GUIDE, INNER PAPER	
20	FE5 - 4132 - 000		1	ARM, MULTI FEED	
21	FF5 - 4488 - 000		1	PLATE, MULTI FEED	
21 A	FB1 - 8584 - 000		1	SHEET, MIDDLE PLATE	
22	FS5 - 1209 - 000		2	BUSHING	
23	FS5 - 1595 - 000		4	BUSHING, VERTICAL ROLLER	
24	FS5 - 1598 - 000		2	BUSHING, VERTICAL ROLLER	
25	FS6 - 0578 - 000		1	GEAR, 19T	
26	FS6 - 2308 - 000		6	SPRING, COMPRESSION	
27	FS6 - 2337 - 000		2	SPRING, TENSION	
28	FS6 - 2790 - 000		2	SPRING, COMPRESSION	

FIGURE & KEY NO.	PART NUMBER	RANK	QTY	DESCRIPTION	SERIAL NUMBER / REMARKS
R04 - 29	FS6 - 2791 - 000		1	SPRING, COMPRESSION	
30	XD9 - 0104 - 000		1	PIN,DOWEL	
31	XD9 - 0134 - 000		1	RING,E	
501	XB1 - 2400 - 809		1	SCREW,MACH.,TRUSS HEAD,M4X8	
502	XB4 - 7401 - 006		3	SCREW,TAPPING,TRUSS HEAD,M4X10	
503	XB4 - 7401 - 009		2	SCREW,TAPPING,TRUSS HEAD,M4X10	
504	XD2 - 2100 - 602		1	RING,GRIP	
505	XD3 - 2160 - 162		1	PIN,DOWEL	

FIGURE R05 MOUNTING HARDWARE (C1/M1/N1 TYPE)

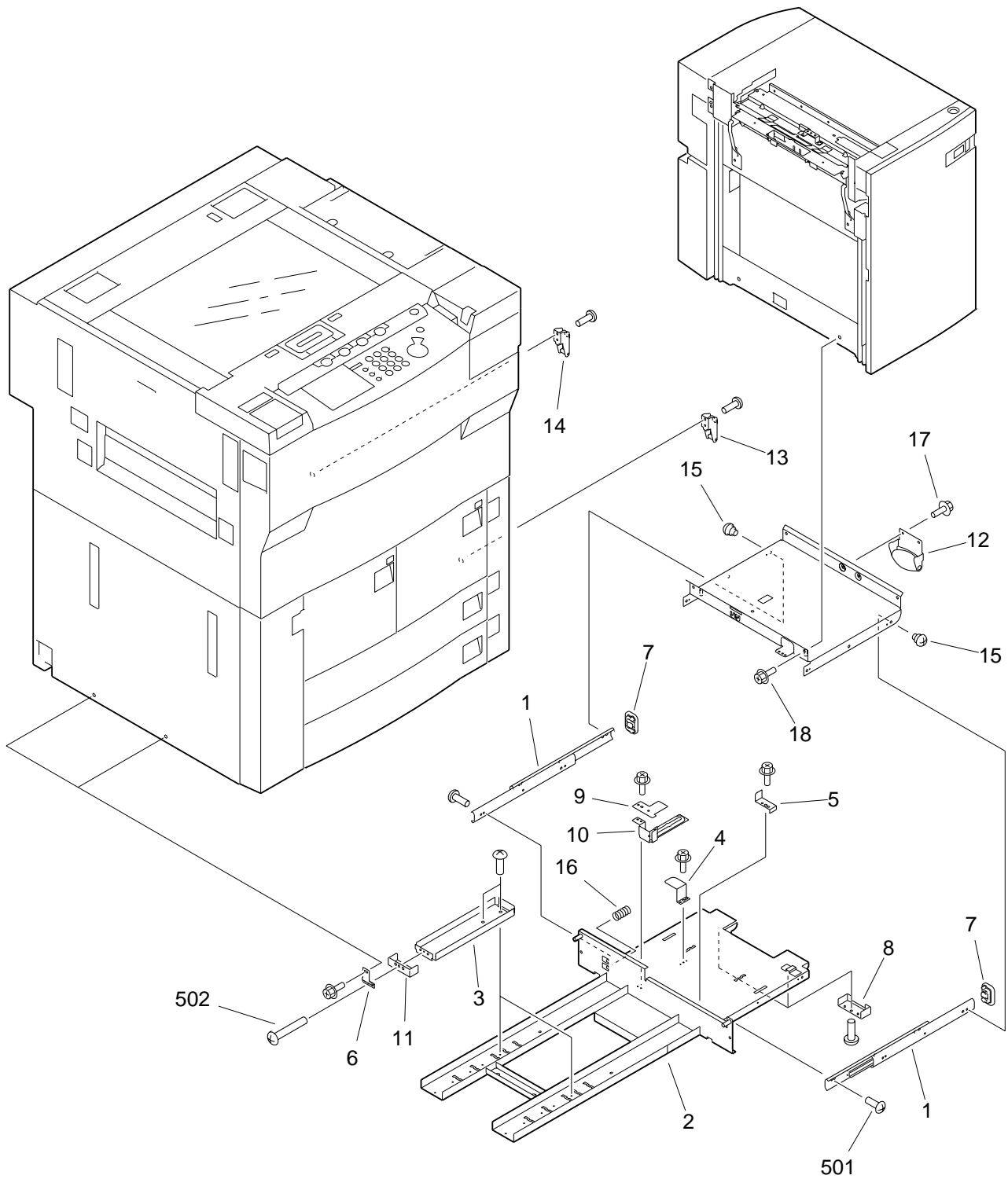


FIGURE & KEY NO.	PART NUMBER	RANK	QTY	DESCRIPTION	SERIAL NUMBER / REMARKS
R05 -	NPN		RF	MOUNTING HARDWARE	C1/M1/N1 TYPE
1	FB4 - 4867 - 000		2	RAIL, FRAME SLIDE	
2	FB4 - 4915 - 000	N	1	CROSSMEMBER, BOTTOM	
3	FB4 - 4916 - 000		2	PLATE, CROSS. BOTTOM EXTENSION	
4	FB4 - 4918 - 000		1	PLATE, DECK SENSOR FLAG	
5	FB4 - 4919 - 000		1	PLATE, DECK STOPPER	
6	FB4 - 4920 - 000		2	PLATE, CROSSMEMBER SUPPORT	
7	FB4 - 4932 - 000		2	CAP, RAIL	
8	FB4 - 4933 - 000		2	COVER, BOTTOM CROSSMEMBER	
9	FB4 - 4937 - 000		1	FLAG, SLIDE, UPPER	
10	FB4 - 4938 - 000		1	FLAG, SLIDE, LOWER	
11	FB4 - 4939 - 000		2	COVER, BOTTOM CROSSMEMBER, 2	
12	FF5 - 6156 - 000		1	SUPPORT, ROLLER	
13	FF5 - 7537 - 000		1	PLATE, LATCH, FRONT	
14	FF5 - 7538 - 000		1	PLATE, LATCH, REAR	
15	FS1 - 9002 - 000		3	SCREW, STEPPED, M4	
16	FS6 - 2897 - 000		1	SPRING, COMPRESSION	
17	XA9 - 0732 - 000		5	SCREW, RS, M4X8	
18	XA9 - 0732 - 000		AR	SCREW, RS, M4X8	
501	XB1 - 2400 - 609		15	SCREW, MACH., TRUSS HEAD, M4X6	
502	XB1 - 2401 - 207		2	SCREW, MACH., TRUSS HEAD, M4X12	

FIGURE R10 EXTERNAL COVERS, PANELS, ETC.

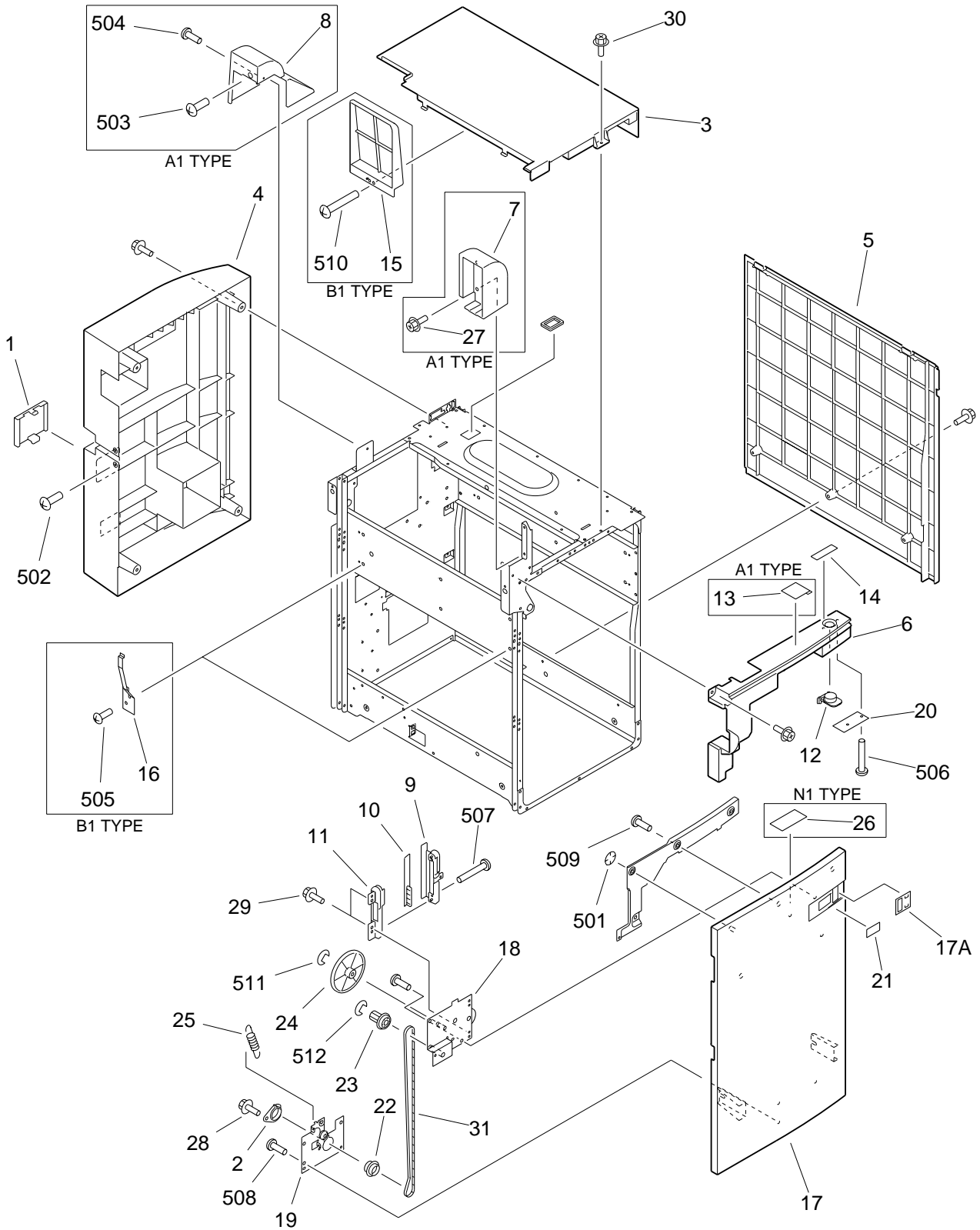


FIGURE & KEY NO.	PART NUMBER	RANK	QTY	DESCRIPTION	SERIAL NUMBER / REMARKS
R10 -	NPN		RF	EXTERNAL COVERS, PANELS, ETC.	
1	FB2 - 8021 - 000		1	COVER, CAP, LEFT	
2	FB3 - 9270 - 000		1	BUSHING	
3	FB3 - 9281 - 000		1	COVER, UPPER	A1 TYPE
	FB4 - 4926 - 000		1	COVER, UPPER	B1/C1/M1/N1 TYPE
4	FB3 - 9283 - 020		1	COVER, REAR	
5	FB3 - 9284 - 000		1	COVER, RIGHT	
6	FB3 - 9285 - 000		1	COVER, SWITCH	A1 TYPE
	FB4 - 4925 - 000		1	COVER, SWITCH	B1/C1/M1/N1 TYPE
7	FB3 - 9287 - 000		1	COVER, UPPER GUIDE, FRONT	A1 TYPE
8	FB3 - 9288 - 000		1	COVER, UPPER GUIDE, REAR	A1 TYPE
9	FB3 - 9291 - 000		1	MOUNT, PAPER INDEX, RIGHT	
10	FB3 - 9292 - 000		1	TAPE, PAPER INDEX	
11	FB3 - 9293 - 000		1	MOUNT, PAPER INDEX, LEFT	
12	FB3 - 9711 - 000		1	BUTTON, RELEASE	
13	FB3 - 9749 - 000		1	LABEL, "HANDLE"	A1 TYPE
14	FB3 - 9751 - 000		1	LABEL, "DECK OPEN "	
15	FB4 - 6579 - 000		1	COVER, HANDLE	B1 TYPE
16	FB4 - 6580 - 000		2	PLATE, SLOPE GUIDE	B1 TYPE
17	FF5 - 6162 - 020		1	COVER, FRONT	
17 A	FB3 - 9732 - 000		1	PANEL, PAPER INDEX	
18	FF5 - 6163 - 000		1	PAPER QUANTITY INDICATOR UNIT	
19	FF5 - 6164 - 020		1	TENSIONER	
20	FG5 - 9288 - 000		1	SWITCH PCB ASSEMBLY	
21	FS5 - 8852 - 000		1	SHEET, PAPER SIZE	A1 TYPE
	FS6 - 8412 - 000		1	SHEET, PAPER SIZE	B1/C1/M1/N1 TYPE
22	FS6 - 0911 - 000		1	PULLEY, 32T	
23	FS6 - 0912 - 000		1	PULLEY, 32T/GEAR, 15T	
24	FS6 - 0913 - 000		1	GEAR, 18T/96T	
25	FS6 - 2677 - 000		1	SPRING, TENSION	

FIGURE & KEY NO.	PART NUMBER	RANK	QTY	DESCRIPTION	SERIAL NUMBER / REMARKS
R10 - 26	FS7 - 8288 - 000		1	LABEL, PAPER SET	N1 TYPE
27	XA9 - 0643 - 000		2	SCREW,RS,M4X10	A1 TYPE
28	XA9 - 0732 - 000		1	SCREW,RS,M4X8	
29	XA9 - 0732 - 000		2	SCREW,RS,M4X8	
30	XA9 - 0732 - 000		AR	SCREW,RS,M4X8	
31	XF9 - 0642 - 000		1	BELT, DRIVE	
501	XD2 - 2300 - 402		1	RING,TOOTHED LOCK	
502	XB1 - 2300 - 806		2	SCREW,MACH.,TRUSS HEAD,M3X8	
503	XB1 - 2400 - 806		1	SCREW,MACH.,TRUSS HEAD,M4X8	A1 TYPE
504	XB1 - 2400 - 806		1	SCREW,MACH.,TRUSS HEAD,M4X8	A1 TYPE
505	XB1 - 2400 - 809		2	SCREW,MACH.,TRUSS HEAD,M4X8	B1 TYPE
506	XB4 - 7301 - 209		2	SCREW,TAPPING,TRUSS HEAD,M3X12	
507	XB4 - 7301 - 209		2	SCREW,TAPPING,TRUSS HEAD,M3X12	
508	XB4 - 7400 - 807		5	SCREW,TAPPING,TRUSS HEAD,M4X8	
509	XB4 - 7400 - 807		3	SCREW,TAPPING,TRUSS HEAD,M4X8	
510	XB4 - 7401 - 006		1	SCREW,TAPPING,TRUSS HEAD,M4X10	B1 TYPE
511	XD2 - 1100 - 502		1	RING,E	
512	XD2 - 1100 - 642		1	RING,E	

FIGURE R11 INTERNAL COMPONENTS (A1 TYPE)

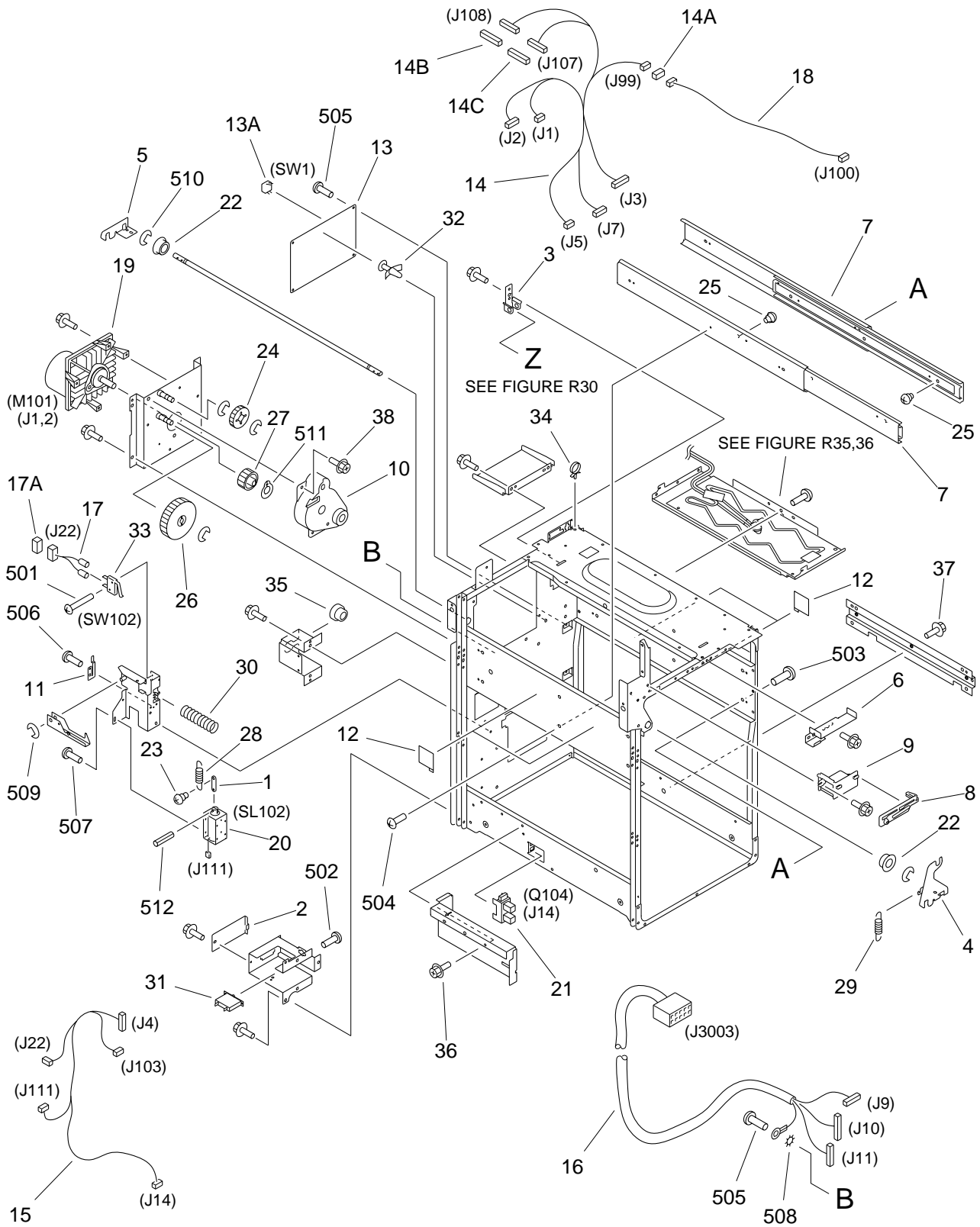


FIGURE & KEY NO.	PART NUMBER	RANK	QTY	DESCRIPTION	SERIAL NUMBER / REMARKS
R11 -	NPN		RF	INTERNAL COMPONENTS	A1 TYPE
1	FA6 - 7751 - 000		1	ARM, LOCK	
2	FB2 - 8293 - 000		1	COVER, CONNECTOR	
3	FB3 - 9234 - 000		1	HOLDER, CORD GUIDE	
4	FB3 - 9254 - 000		1	HOOK, FRONT	
5	FB3 - 9255 - 000		1	HOOK, REAR	
6	FB3 - 9260 - 000		1	PLATE, CAM RELEASE	
7	FB3 - 9261 - 000		2	RAIL, SLIDE	
8	FB3 - 9290 - 000		1	LINK, RELEASE LEVER	
9	FB3 - 9727 - 000		1	COVER, RELEASE LEVER	
10	FB3 - 9730 - 000		1	COVER, GEAR	
11	FB3 - 9739 - 000		1	SPRING, LEAF	
12	FB3 - 9749 - 000		4	LABEL, "HANDLE"	
13	FG5 - 9108 - 020		1	DECK DRIVER PCB ASSEMBLY	
13 A	WC8 - 0222 - 000		1	SWITCH, DIP	SW1
14	FG5 - 9293 - 000		1	CABLE, FRAME, 1	J1-3,5,7,99,107,108
14 A	VS1 - 5057 - 004		1	CONNECTOR, SNAP TIGHT	J99
14 B	VS1 - 5057 - 010		1	CONNECTOR, SNAP TIGHT	J108
14 C	VS1 - 5057 - 014		1	CONNECTOR, SNAP TIGHT	J107
15	FG5 - 9294 - 000		1	CABLE, FRAME, 2	J4,14,22,103,111
16	FG5 - 9295 - 000		1	CABLE, INTERFACE	J9-11,3003
17	FG5 - 9361 - 000		1	CABLE, SWITCH	J22
17 A	VS1 - 5057 - 003		1	CONNECTOR, SNAP TIGHT	J22
18	FG5 - 9363 - 000		1	CABLE, LED SWITCH	J99,100
19	FH6 - 1408 - 000		1	MOTOR, STEPPING, DC	M101 J1,2
20	FH7 - 5323 - 000		1	SOLENOID	SL102 J111
21	FH7 - 7312 - 000		1	PHOTO-INTERRUPTER	Q104 J14
22	FS1 - 1189 - 000		2	BUSHING	
23	FS1 - 9009 - 000		1	SCREW, STEPPED, M3	
24	FS2 - 0544 - 000		1	GEAR, 24T	

FIGURE & KEY NO.	PART NUMBER	RANK	QTY	DESCRIPTION	SERIAL NUMBER / REMARKS
R11 - 25	FS2 - 9343 - 000		4	SCREW, STEPPED, M4	
26	FS6 - 0072 - 000		1	GEAR, 70T	
27	FS6 - 0910 - 000		1	GEAR, 32T	
28	FS6 - 2593 - 000		1	SPRING, TENSION	
29	FS6 - 2674 - 000		1	SPRING, TENSION	
30	FS6 - 2676 - 000		1	SPRING, COMPRESSION	
31	VD7 - 0502 - 001		1	BREAKER, CIRCUIT, 125VAC 3A	FOR KIT 10 100V
	WD3 - 5057 - 000		1	BRAKER, CIRCUIT, 250VAC 1A	FOR KIT 10 220/240V
32	VT2 - 0002 - 003		1	SPACER, SUPPORT	
33	WC4 - 5148 - 000		1	MICRO SWITCH	SW102
34	WT2 - 5169 - 000		1	CLAMP, CABLE	
35	X62 - 6825 - 000		1	BUSHING	
36	XA9 - 0732 - 000		20	SCREW, RS, M4X8	
37	XA9 - 0732 - 000		12	SCREW, RS, M4X8	
38	XA9 - 0949 - 000		6	SCREW, RS, M4X10	
501	XB1 - 2231 - 009		1	SCREW, MACH., TRUSS HEAD, M2.3X10	
502	XB1 - 2300 - 409		2	SCREW, MACH., TRUSS HEAD, M3X4	
503	XB1 - 2400 - 609		6	SCREW, MACH., TRUSS HEAD, M4X6	
504	XB1 - 2400 - 609		6	SCREW, MACH., TRUSS HEAD, M4X6	
505	XB1 - 2400 - 806		5	SCREW, MACH., TRUSS HEAD, M4X8	
506	XB1 - 2400 - 809		4	SCREW, MACH., TRUSS HEAD, M4X8	
507	XB6 - 7300 - 409		3	SCREW, TP, M3X4	
508	XD1 - 4200 - 402		1	WASHER, TOOTHED LOCK	
509	XD2 - 1100 - 502		1	RING, E	
510	XD2 - 1100 - 642		5	RING, E	
511	XD2 - 2101 - 002		1	RING, GRIP	
512	XD3 - 1300 - 102		1	PIN, SPRING	

FIGURE R12 INTERNAL COMPONENTS (B1/C1/M1/N1 TYPE)

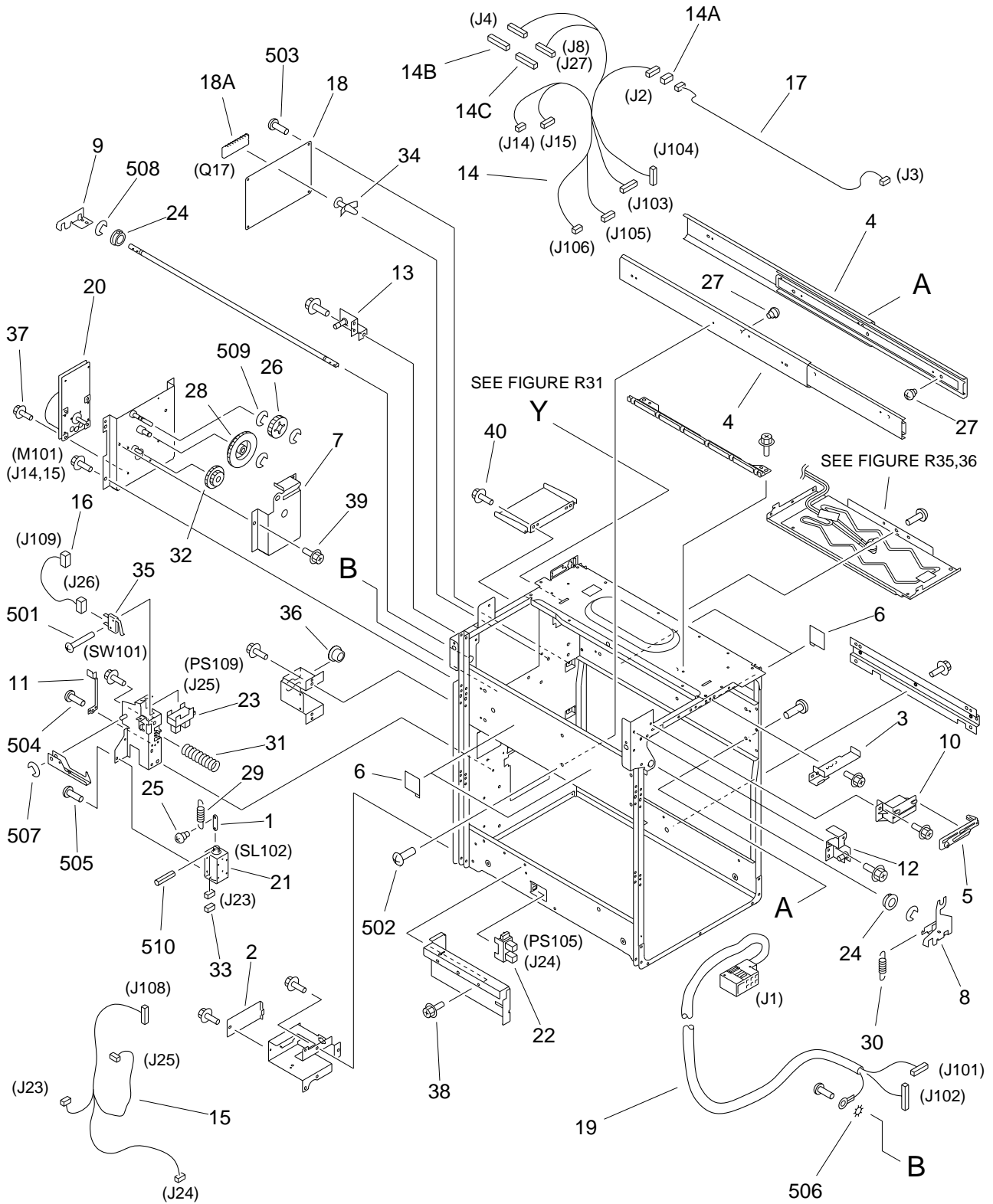


FIGURE & KEY NO.	PART NUMBER	RANK	QTY	DESCRIPTION	SERIAL NUMBER / REMARKS
R12 -	NPN		RF	INTERNAL COMPONENTS	B1/C1/M1/N1 TYPE
1	FA6 - 7751 - 000		1	ARM, LOCK	
2	FB2 - 8293 - 000		1	COVER, CONNECTOR	
3	FB3 - 9260 - 000		1	PLATE, CAM RELEASE	
4	FB3 - 9261 - 000		2	RAIL, SLIDE	
5	FB3 - 9290 - 000		1	LINK, RELEASE LEVER	
6	FB3 - 9749 - 000		4	LABEL, "HANDLE"	
7	FB4 - 4871 - 000		1	COVER, GEAR	
8	FB4 - 4877 - 000		1	HOOK, FRONT	
9	FB4 - 4878 - 000		1	HOOK, REAR	
10	FB4 - 4922 - 000		1	COVER, RELEASE LEVER	
11	FB4 - 4929 - 000		1	SPRING, LEAF	
12	FF5 - 7535 - 000		1	PIN, DECK, FRONT	
13	FF5 - 7536 - 000		1	PIN, DECK, REAR	
14	FG6 - 1643 - 000		1	CABLE, FRAME, 1	B1/C1/M1 TYPE J2,4,8,14,15,103-106
14 A	FG6 - 8794 - 000		1	CABLE, FRAME, 1	N1 TYPE J2,4,14 J15,27,103-106
14 B	VS1 - 5057 - 004		1	CONNECTOR, SNAP TIGHT	J2
14 C	VS1 - 5057 - 010		1	CONNECTOR, SNAP TIGHT	J4
14 C	VS1 - 5057 - 014		1	CONNECTOR, SNAP TIGHT	B1/C1/M1 TYPE J8 N1 TYPE J27
15	FG6 - 1644 - 000		1	CABLE, FRAME, 2	J23-25,108
16	FG6 - 1645 - 000		1	CABLE, PAPER STOCK SWITCH	J26,109
17	FG6 - 1646 - 000		1	CABLE, LED SWITCH	J2,3
18	FG6 - 1650 - 000		1	DECK DRIVER PCB ASSEMBLY	B1 TYPE
	FG6 - 1651 - 000		1	DECK DRIVER PCB ASSEMBLY	C1/M1 TYPE
	FG6 - 8795 - 000		1	DECK DRIVER PCB ASSEMBLY	N1 TYPE
18 A	FH4 - 5724 - 000		1	IC, TC140G06AN-0051,GATE ARRAY	Q17
19	FG6 - 1652 - 000		1	CABLE, INTERFACE	J1,101,102
20	FH6 - 1525 - 000		1	MOTOR, STEPPING, DC	B1/C1 TYPE M101 J14,15
	FH6 - 1893 - 000		1	MOTOR, BRUSHLESS	M1 TYPE M101 J14,15
	FH6 - 1953 - 000		1	MOTOR, BRUSHLESS	N1 TYPE M101 J14,15

FIGURE & KEY NO.	PART NUMBER	RANK	QTY	DESCRIPTION	SERIAL NUMBER / REMARKS
R12 - 21	FH7 - 5828 - 000		1	SOLENOID, DC24V	SL102 J23
22	FH7 - 7312 - 000		1	PHOTO-INTERRUPTER	PS105 J24
23	FH7 - 7312 - 000		1	PHOTO-INTERRUPTER	PS109 J25
24	FS1 - 1189 - 000		2	BUSHING	
25	FS1 - 9009 - 000		1	SCREW, STEPPED, M3	
26	FS2 - 0544 - 000		1	GEAR, 24T	
27	FS2 - 9343 - 000		4	SCREW, STEPPED, M4	
28	FS6 - 0067 - 000		1	GEAR, 50T/64T	B1/C1/M1 TYPE
	FU3 - 0256 - 000		1	GEAR, 48T/64T	N1 TYPE
29	FS6 - 2593 - 000		1	SPRING, TENSION	
30	FS6 - 2674 - 000		1	SPRING, TENSION	
31	FS6 - 2676 - 000		1	SPRING, COMPRESSION	
32	FS7 - 0177 - 000		1	GEAR, 25T/68T	B1/C1/M1 TYPE
	FU3 - 0257 - 000		1	GEAR, 27T/68T	N1 TYPE
33	VS1 - 5057 - 002		1	CONNECTOR, SNAP TIGHT	J23
34	VT2 - 0002 - 003		1	SPACER, SUPPORT	
35	WC4 - 5153 - 000		1	MICRO SWITCH	SW101 J26
36	WT2 - 5410 - 000		1	BUSHING, STRAIN RELIEF	
37	XA9 - 0724 - 000		4	SCREW, RS, M3X8	
38	XA9 - 0732 - 000		20	SCREW, RS, M4X8	
39	XA9 - 0732 - 000		2	SCREW, RS, M4X8	
40	XA9 - 0949 - 000		2	SCREW, RS, M4X10	
501	XB1 - 2231 - 009		1	SCREW, MACH., TRUSS HEAD, M2.3X10	
502	XB1 - 2400 - 609		6	SCREW, MACH., TRUSS HEAD, M4X6	
503	XB1 - 2400 - 806		5	SCREW, MACH., TRUSS HEAD, M4X8	
504	XB1 - 2400 - 809		4	SCREW, MACH., TRUSS HEAD, M4X8	
505	XB6 - 7300 - 409		3	SCREW, TP, M3X4	
506	XD1 - 4200 - 402		1	WASHER, TOOTHED LOCK	
507	XD2 - 1100 - 502		1	RING, E	
508	XD2 - 1100 - 642		2	RING, E	

FIGURE & KEY NO.	PART NUMBER	R A N K	Q' T Y	DESCRIPTION	SERIAL NUMBER / REMARKS
R12 - 509	XD2 - 1100 - 642		3	RING,E	
510	XD3 - 1300 - 102		1	PIN,SPRING	

FIGURE R30 PAPER STOCK ASSEMBLY (A1 TYPE)

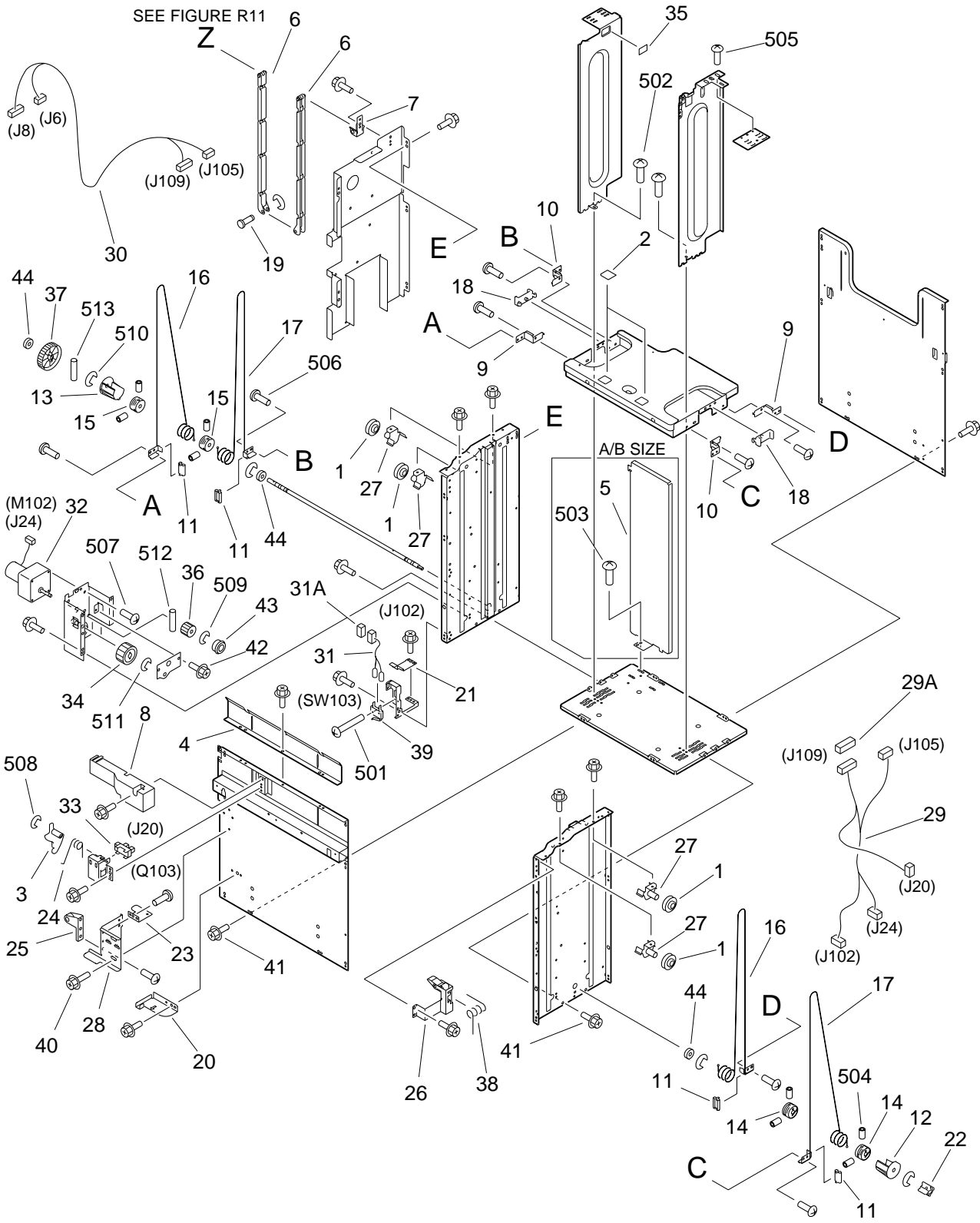
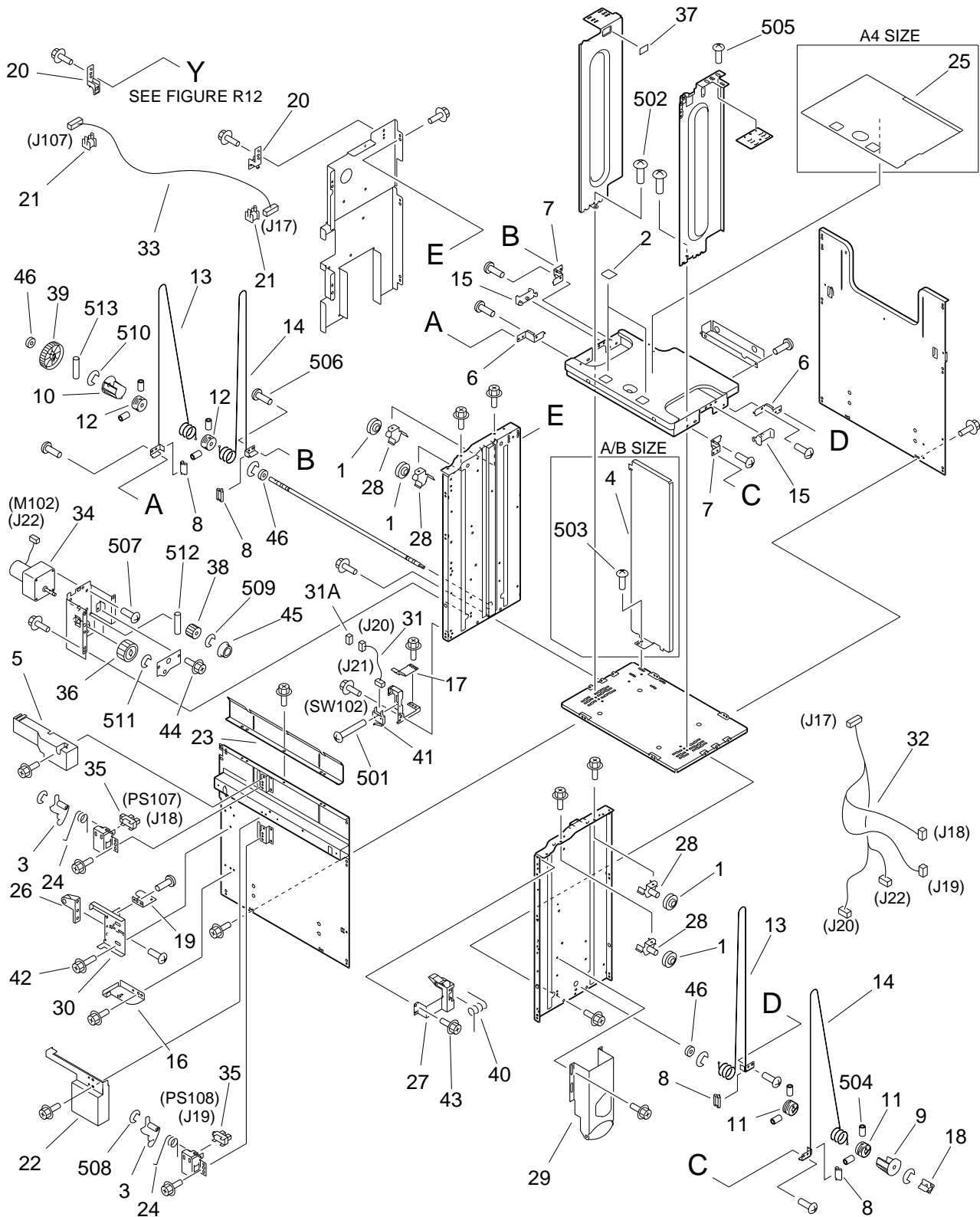


FIGURE & KEY NO.	PART NUMBER	RANK	QTY	DESCRIPTION	SERIAL NUMBER / REMARKS
R30 -	FG5 - 9103 - 070		1	PAPER STOCK ASSEMBLY	A1 TYPE
1	FA6 - 8257 - 000		4	PULLEY	
2	FB2 - 7740 - 020		2	SHEET, SEPARATION	
3	FB2 - 9248 - 000		1	ARM, PAPER SENSOR	
4	FB3 - 9226 - 000		1	PLATE, SEPARATION	
5	FB3 - 9230 - 000		1	PLATE, END LIMIT	A/B SIZE SEE NOTE
6	FB3 - 9233 - 000		2	GUIDE, CORD, FRONT	
7	FB3 - 9234 - 000		1	HOLDER, CORD GUIDE	
8	FB3 - 9235 - 000		1	COVER, SENSOR	
9	FB3 - 9237 - 000		2	PLATE, WIRE STOP, RIGHT	
10	FB3 - 9238 - 000		2	PLATE, WIRE STOP, LEFT	
11	FB3 - 9240 - 000		4	BLOCK, WIRE GUIDE	
12	FB3 - 9241 - 000		1	GUIDE, PULLEY, FRONT	
13	FB3 - 9242 - 000		1	GUIDE, PULLEY, REAR	
14	FB3 - 9243 - 000		2	PULLEY, DRIVE, FRONT	
15	FB3 - 9244 - 000		2	PULLEY, DRIVE, REAR	
16	FB3 - 9246 - 000		2	WIRE, DRIVE, RIGHT	
17	FB3 - 9247 - 000		2	WIRE, DRIVE, LEFT	
18	FB3 - 9714 - 000		2	BLOCK, LIFTER PLATE SLIDE	
19	FB3 - 9717 - 000		1	SHAFT, MOVABLE CORD GUIDE	
20	FB3 - 9720 - 000		1	PLATE, PAPER STOCK STOP	SEE NOTE
21	FB3 - 9723 - 000		1	SPRING, LEAF	
22	FB3 - 9735 - 000		1	COUPLING	SEE NOTE
23	FB3 - 9742 - 000		1	FLAG, PAPER STOCK SENSOR	
24	FB5 - 0553 - 000		1	SPRING, TORSION	
25	FF5 - 5282 - 030		1	HOLDER, LATCH	
26	FF5 - 6148 - 000		1	LEVER, RELEASE	
27	FF5 - 6160 - 000		4	MOUNT, PULLEY	
28	FF5 - 6171 - 000		1	PLATE, LOCK	
29	FG5 - 9291 - 000		1	CABLE, PAPER STOCK	J20,24,102,105,109

FIGURE & KEY NO.	PART NUMBER	RANK	QTY	DESCRIPTION	SERIAL NUMBER / REMARKS
R30 - 29A	VS1 - 5057 - 005		1	CONNECTOR, SNAP TIGHT	J109
30	FG5 - 9292 - 000		1	CABLE, PAPER STOCK CONNECTING	J6,8,105,109
31	FG5 - 9361 - 000		1	CABLE, SWITCH	J102
31A	VS1 - 5057 - 003		1	CONNECTOR, SNAP TIGHT	J102
32	FH7 - 1791 - 020		1	MOTOR, DC24V	M102 J22
33	FH7 - 7312 - 000		1	PHOTO-INTERRUPTER	Q103 J20
34	FS2 - 0450 - 000		1	GEAR, 32T	
35	FS5 - 8618 - 000		1	LABEL, "MAXIMUM LOAD"	
36	FS6 - 0722 - 000		1	GEAR, 19T	
37	FS6 - 0909 - 000		1	GEAR, 58T	
38	FS6 - 2673 - 000		1	SPRING, TORSION	
39	WC4 - 0153 - 000		1	MICRO SWITCH	SW103
40	XA9 - 0721 - 000		2	SCREW,RS,M4X10	
41	XA9 - 0732 - 000		44	SCREW,RS,M4X8	
42	XA9 - 0732 - 000		2	SCREW,RS,M4X8	
43	XG3 - 6012 - 405		1	BEARING, BALL	
44	XG9 - 0250 - 000		3	BEARING, BALL	
501	XB1 - 2231 - 009		1	SCREW,MACH.,TRUSS HEAD,M2.3X10	
502	XB1 - 2400 - 609		2	SCREW,MACH.,TRUSS HEAD,M4X6	
503	XB1 - 2400 - 809		1	SCREW,MACH.,TRUSS HEAD,M4X8	SEE NOTE
504	XB6 - 2400 - 808		8	SETSCREW,M4X8	
505	XB6 - 7400 - 609		5	SCREW,TP,M4X6	
506	XB6 - 7400 - 809		12	SCREW,TP,M4X8	
507	XB6 - 7400 - 809		4	SCREW,TP,M4X8	
508	XD2 - 1100 - 242		1	RING,E	
509	XD2 - 1100 - 502		1	RING,E	
510	XD2 - 1100 - 642		4	RING,E	
511	XD2 - 1100 - 642		1	RING,E	
512	XD3 - 2200 - 122		1	PIN,DOWEL	
513	XD3 - 2200 - 182		1	PIN,DOWEL	

FIGURE R31 PAPER STOCK ASSEMBLY (B1/C1/M1/N1 TYPE)



NOTE: This assembly does not include the parts shown with key No. 4, 16, 18, 25, 29 and 503.

FIGURE & KEY NO.	PART NUMBER	RANK	QTY	DESCRIPTION	SERIAL NUMBER / REMARKS
R31 -	FG6 - 1632 - 000		1	PAPER STOCK ASSEMBLY	B1/C1 TYPE
	FG6 - 7380 - 000		1	PAPER STOCK ASSEMBLY	M1/N1 TYPE
	1 FA6 - 8257 - 000		4	PULLEY	
2	FB2 - 7740 - 020		2	SHEET, SEPARATION	
3	FB2 - 9248 - 000		2	ARM, PAPER SENSOR	
4	FB3 - 9230 - 000		1	PLATE, END LIMIT	A/B SIZE SEE NOTE
5	FB3 - 9235 - 000		1	COVER, SENSOR	
6	FB3 - 9237 - 000		2	PLATE, WIRE STOP, RIGHT	
7	FB3 - 9238 - 000		2	PLATE, WIRE STOP, LEFT	
8	FB3 - 9240 - 000		4	BLOCK, WIRE GUIDE	
9	FB3 - 9241 - 000		1	GUIDE, PULLEY, FRONT	
10	FB3 - 9242 - 000		1	GUIDE, PULLEY, REAR	
11	FB3 - 9243 - 000		2	PULLEY, DRIVE, FRONT	
12	FB3 - 9244 - 000		2	PULLEY, DRIVE, REAR	
13	FB3 - 9246 - 000		2	WIRE, DRIVE, RIGHT	
14	FB3 - 9247 - 000		2	WIRE, DRIVE, LEFT	
15	FB3 - 9714 - 000		2	BLOCK, LIFTER PLATE SLIDE	
16	FB3 - 9720 - 000		1	PLATE, PAPER STOCK STOP	SEE NOTE
17	FB3 - 9723 - 000		1	SPRING, LEAF	
18	FB3 - 9735 - 000		1	COUPLING	SEE NOTE
19	FB3 - 9742 - 000		1	FLAG, PAPER STOCK SENSOR	
20	FB4 - 4873 - 000		2	CLAMP, CORD, UPPER	
21	FB4 - 4874 - 000		2	CLAMP, CORD, LOWER	
22	FB4 - 4882 - 000		1	COVER, SENSOR, LOWER	
23	FB4 - 4928 - 000		1	PLATE, SEPARATION	
24	FB5 - 0553 - 000		2	SPRING, TORSION	C1/M1/N1 TYPE A4 SIZE SEE NOTE
25	FB5 - 7009 - 000		1	SHEET, DECK	
26	FF5 - 5282 - 030		1	HOLDER, LATCH	
27	FF5 - 6148 - 000		1	LEVER, RELEASE	
28	FF5 - 6160 - 000		4	MOUNT, PULLEY	

FIGURE & KEY NO.	PART NUMBER	RANK	QTY	DESCRIPTION	SERIAL NUMBER / REMARKS
R31 - 29	FF5 - 6161 - 000		1	MOUNT, ROLLER	SEE NOTE
30	FF5 - 6171 - 000		1	PLATE, LOCK	
31	FG6 - 1642 - 000		1	CABLE, SWITCH	J20,21
31 A	VS1 - 5057 - 003		1	CONNECTOR, SNAP TIGHT	J20
32	FG6 - 1647 - 000		1	CABLE, PAPER STOCK	J17-20,22
33	FG6 - 1649 - 000		1	CABLE, PAPER STOCK CONNECTING	J17,107
34	FH7 - 1791 - 020		1	MOTOR, DC24V	
35	FH7 - 7312 - 000		2	PHOTO-INTERRUPTER	PS107,108 J18,19
36	FS2 - 0450 - 000		1	GEAR, 32T	
37	FS5 - 8618 - 000		1	LABEL, "MAXIMUM LOAD"	
38	FS6 - 0722 - 000		1	GEAR, 19T	
39	FS6 - 0909 - 000		1	GEAR, 58T	
40	FS6 - 2673 - 000		1	SPRING, TORSION	
41	WC4 - 0153 - 000		1	MICRO SWITCH	SW102 J21
42	XA9 - 0721 - 000		2	SCREW,RS,M4X10	
43	XA9 - 0732 - 000		46	SCREW,RS,M4X8	
44	XA9 - 0732 - 000		2	SCREW,RS,M4X8	
45	XG3 - 6012 - 405		1	BEARING, BALL	
46	XG9 - 0250 - 000		3	BEARING, BALL	
501	XB1 - 2231 - 009		1	SCREW,MACH.,TRUSS HEAD,M2.3X10	
502	XB1 - 2400 - 609		2	SCREW,MACH.,TRUSS HEAD,M4X6	
503	XB1 - 2400 - 609		1	SCREW,MACH.,TRUSS HEAD,M4X6	A/B SIZE SEE NOTE
504	XB6 - 2400 - 808		8	SETSCREW,M4X8	
505	XB6 - 7400 - 609		5	SCREW,TP,M4X6	
506	XB6 - 7400 - 809		14	SCREW,TP,M4X8	
507	XB6 - 7400 - 809		4	SCREW,TP,M4X8	
508	XD2 - 1100 - 242		2	RING,E	
509	XD2 - 1100 - 502		1	RING,E	
510	XD2 - 1100 - 642		4	RING,E	
511	XD2 - 1100 - 642		1	RING,E	

FIGURE & KEY NO.	PART NUMBER	R A N K	Q' T Y	DESCRIPTION	SERIAL NUMBER / REMARKS
R31 - 512	XD3 - 2200 - 122		1	PIN,DOWEL	
513	XD3 - 2200 - 182		1	PIN,DOWEL	

PAPER DECK HEATER ASSEMBLY (ACCESSORY) HEATER KIT 10/14

FIGURE R35

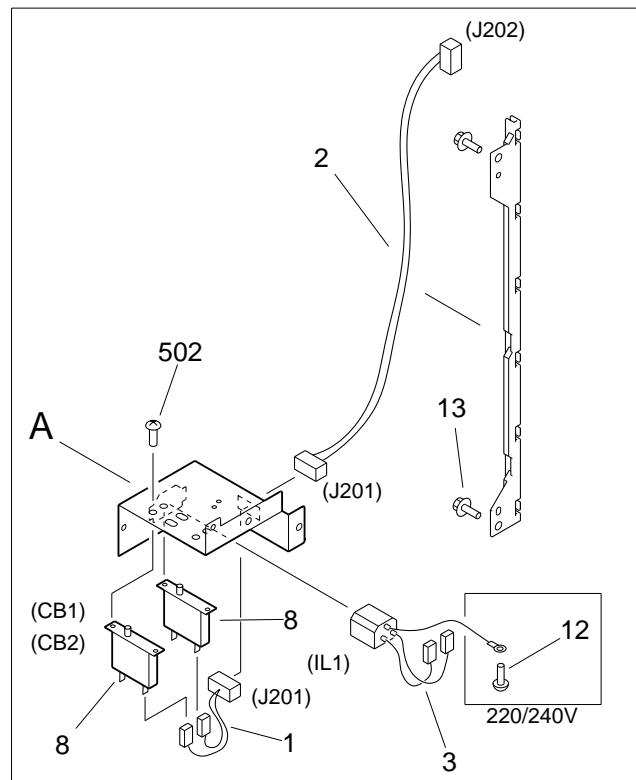
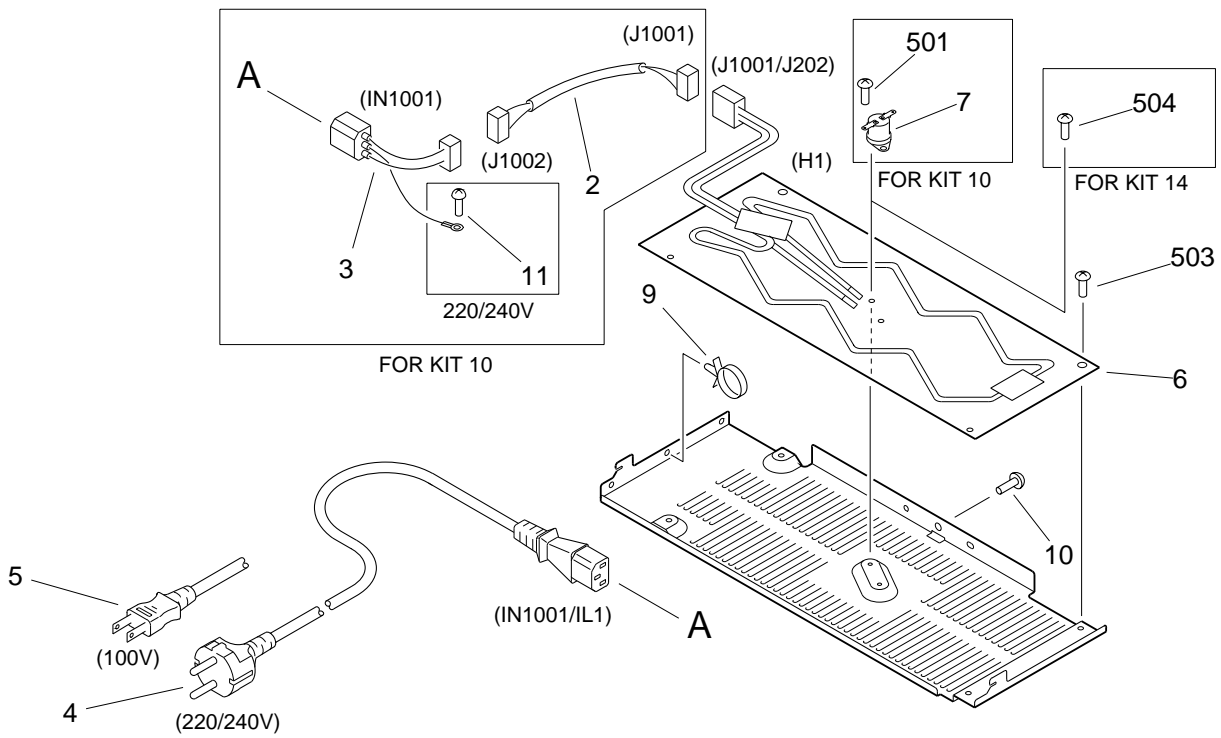


FIGURE & KEY NO.	PART NUMBER	RANK	QTY	DESCRIPTION	SERIAL NUMBER / REMARKS
R35 -	NPN		RF	PAPER DECK HEATER ASSEMBLY	ACCESSORY FOR KIT 10/14
1	FF3 - 3464 - 000		1	CABLE, RELAY	FOR KIT 14 100V J201
	FF3 - 3465 - 000		1	CABLE, RELAY	FOR KIT 14 220/240V J201
2	FG5 - 9359 - 000		1	CABLE, CASSETTE HEATER	FOR KIT 10 J1001,1002
	FG6 - 2956 - 000		1	CABLE, CASSETTE HEATER	FOR KIT 14 J201,202
3	FG5 - 9687 - 000		1	CABLE, SOCKET	FOR KIT 10 100V J1002,IN1001
	FG5 - 9688 - 000		1	CABLE, SOCKET	FOR KIT 10 220/240V J1002,IN1001
	FF3 - 3462 - 000		1	CABLE, SOCKET	FOR KIT 14 100V IL1
	FF3 - 3463 - 000		1	CABLE, SOCKET	FOR KIT 14 220/240V IL1
4	FH2 - 5274 - 000		1	CORD, POWER SUPPLY	FOR KIT 10/14 220/240V IN1001/IL1
5	FH2 - 5759 - 000		1	CORD, POWER SUPPLY	FOR KIT 10/14 100V IN1001/IL1
6	FH7 - 4542 - 000		1	HEATER	FOR KIT 10 100V H1 J1001
	FH7 - 4543 - 000		1	HEATER	FOR KIT 10 220/240V H1 J1001
	FH7 - 4584 - 000		1	HEATER, CASSETTE	FOR KIT 14 100V H1 J202
	FH7 - 4585 - 000		1	HEATER, CASSETTE	FOR KIT 14 220/240V H1 J202
7	FH7 - 7301 - 000		1	THERMOSWITCH	FOR KIT 10
8	VD7 - 0502 - 001		2	BREAKER, CIRCUIT, 125VAC 3A	FOR KIT 14 100V CB1,2
	WD3 - 5057 - 000		2	BRAKER, CIRCUIT, 250VAC 1A	FOR KIT 14 220/240V CB1,2
9	WT2 - 5041 - 000		1	CLAMP, CABLE	
10	XA9 - 0266 - 000		1	SCREW,W/WASHER,M4X8	
11	XA9 - 0266 - 000		1	SCREW,W/WASHER,M4X8	FOR KIT 14 220/240V
12	XA9 - 0266 - 000		1	SCREW,W/WASHER,M4X8	FOR KIT 10 220/240V
13	XA9 - 0628 - 000		2	SCREW,RS,M4X8	FOR KIT 14
501	XB1 - 2300 - 409		2	SCREW,MACH.,TRUSS HEAD,M3X4	FOR KIT 10
502	XB1 - 2300 - 409		4	SCREW,MACH.,TRUSS HEAD,M3X4	FOR KIT 14
503	XB1 - 2400 - 409		4	SCREW,MACH.,TRUSS HEAD,M4X4	
504	XB6 - 7300 - 409		1	SCREW,TP,M3X4	FOR KIT 14

PAPER DECK HEATER ASSEMBLY (ACCESSORY) HEATER KIT 11/16/23

FIGURE R36

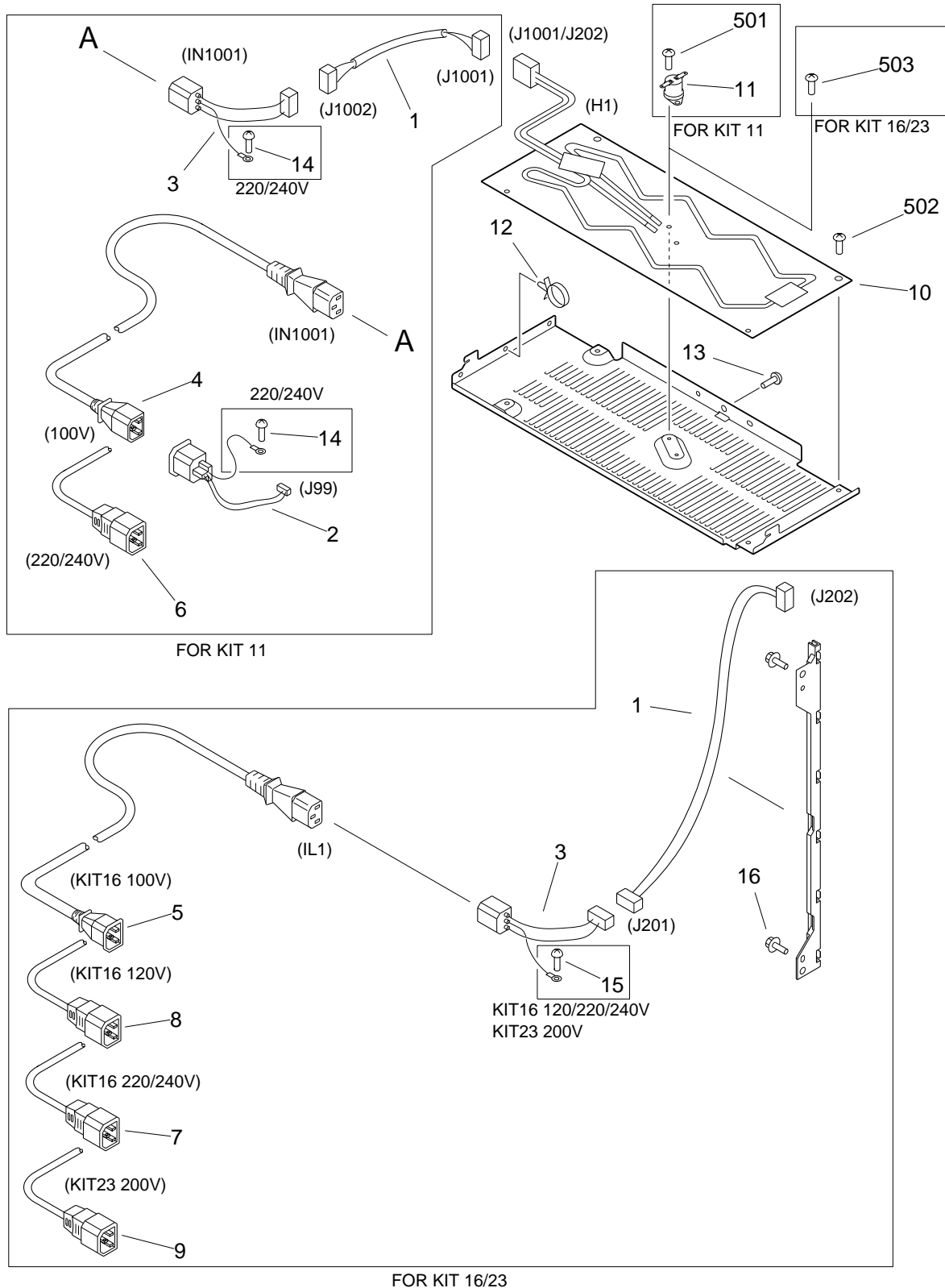
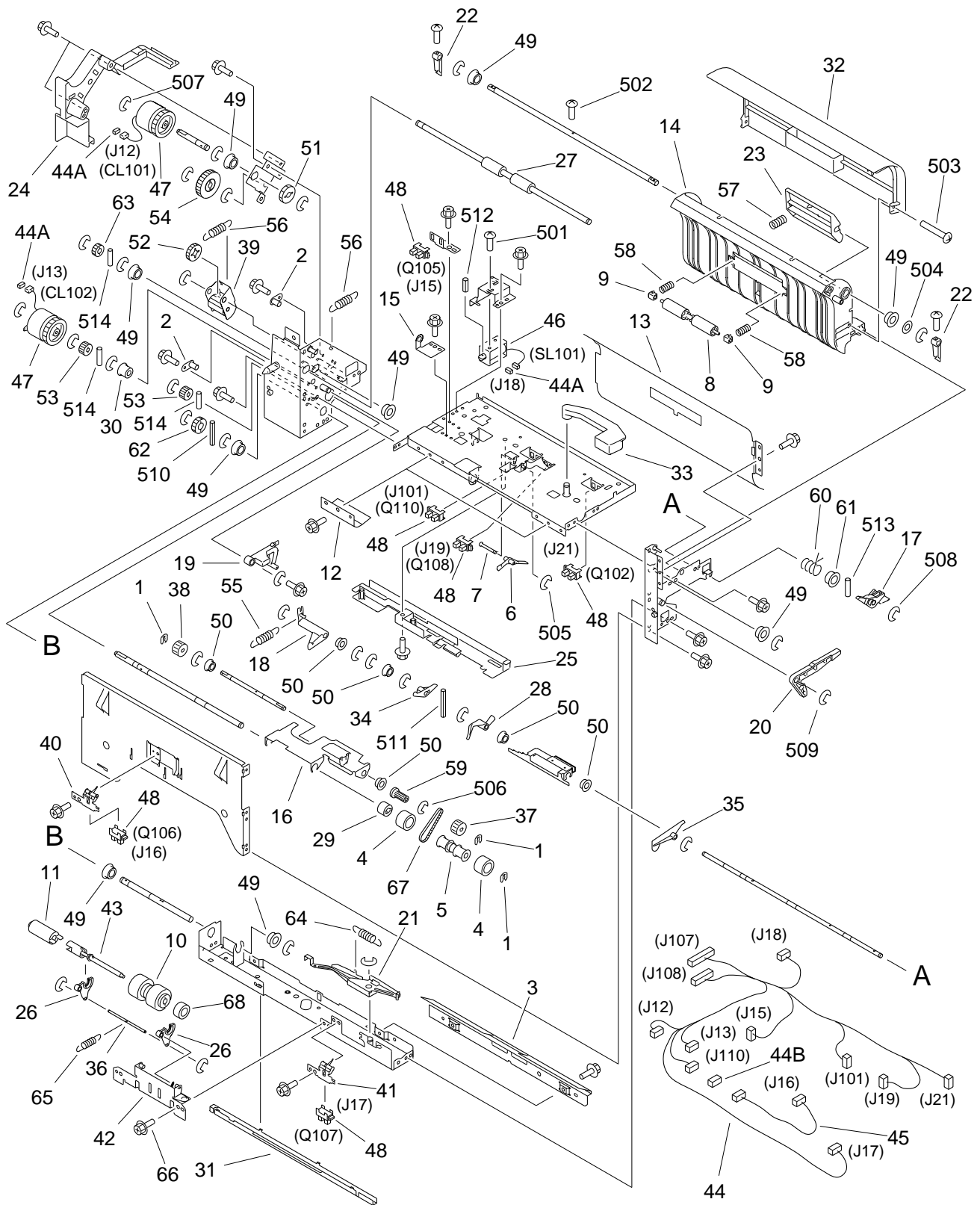


FIGURE & KEY NO.	PART NUMBER	RANK	QTY	DESCRIPTION	SERIAL NUMBER / REMARKS
R36 -	NPN		RF	PAPER DECK HEATER ASSEMBLY	ACCESSORY FOR KIT 11/16/23
1	FG5 - 9359 - 000		1	CABLE, CASSETTE HEATER	FOR KIT 11 J1001,1002
	FG6 - 2956 - 000		1	CABLE, CASSETTE HEATER	FOR KIT 16 J201,202
2	FG6 - 1114 - 000		1	CABLE, SOCKET, OUTLET	FOR KIT 11 100V J99
	FG6 - 1115 - 000		1	CABLE, SOCKET, OUTLET	FOR KIT 11 220/240V J99
3	FG6 - 1116 - 000		1	CABLE, SOCKET	100V J1002,201,IN1001,IL1
	FG6 - 1117 - 000		1	CABLE, SOCKET	120/220/240V J1002,201 IN1001,IL1
4	FH2 - 6491 - 000		1	CORD, POWER SUPPLY	FOR KIT 11 100V IN1001
5	FH2 - 6491 - 000		1	CORD, POWER SUPPLY	FOR KIT 16 GP600 SERIES 100V IL1
	FH2 - 6584 - 000		1	CORD, POWER SUPPLY	FOR KIT16 OTHER MODEL 100V IL1
6	FH2 - 6492 - 000		1	CORD, POWER SUPPLY	FOR KIT 11 220/240V IN1001
7	FH2 - 6492 - 000		1	CORD, POWER SUPPLY	FOR KIT 16 GP600 SERIES 220/240V IL1
	FH2 - 6586 - 000		1	CORD, POWER SUPPLY	FOR KIT 16 OTHER MODEL 220/240V IL1
8	FH2 - 6565 - 000		1	CORD, POWER SUPPLY	FOR KIT 16 GP600 SERIES 120V IL1
	FH2 - 6585 - 000		1	CORD, POWER SUPPLY	FOR KIT 16 OTHER MODEL
9	FH2 - 6990 - 000		1	CORD, POWER SUPPLY	120V IL1 FOR KIT 23 200V IL1
10	FH7 - 4542 - 000		1	HEATER	FOR KIT 11 100V H1 J1001
	FH7 - 4543 - 000		1	HEATER	FOR KIT 11 220/240V H1 J1001
	FH7 - 4584 - 000		1	HEATER, CASSETTE	FOR KIT 16 100V H1 J202
	FH7 - 4610 - 000		1	HEATER	FOR KIT 16 120V H1 J202
	FH7 - 4585 - 000		1	HEATER, CASSETTE	FOR KIT 16 220/240V FOR KIT 23 H1 J202
11	FH7 - 7301 - 000		1	THERMOSWITCH	FOR KIT 11
12	WT2 - 5041 - 000		1	CLAMP, CABLE	
13	XA9 - 0266 - 000		1	SCREW,W/WASHER,M4X8	

FIGURE & KEY NO.	PART NUMBER	RANK	QTY	DESCRIPTION	SERIAL NUMBER / REMARKS
R36 - 14	XA9 - 0266 - 000		2	SCREW,W/WASHER,M4X8	FOR KIT 11 220/240V
15	XA9 - 0266 - 000		1	SCREW,W/WASHER,M4X8	FOR KIT 16 120/220/240V FOR KIT 23 200V
16	XA9 - 0628 - 000		2	SCREW,RS,M4X8	FOR KIT 16/23
501	XB1 - 2300 - 409		2	SCREW,MACH.,TRUSS HEAD,M3X4	FOR KIT 11
502	XB1 - 2400 - 409		4	SCREW,MACH.,TRUSS HEAD,M4X4	
503	XB6 - 7300 - 409		1	SCREW,TP,M3X4	FOR KIT 16/23

FIGURE R40 PAPER PICK-UP ASSEMBLY (A1 TYPE)



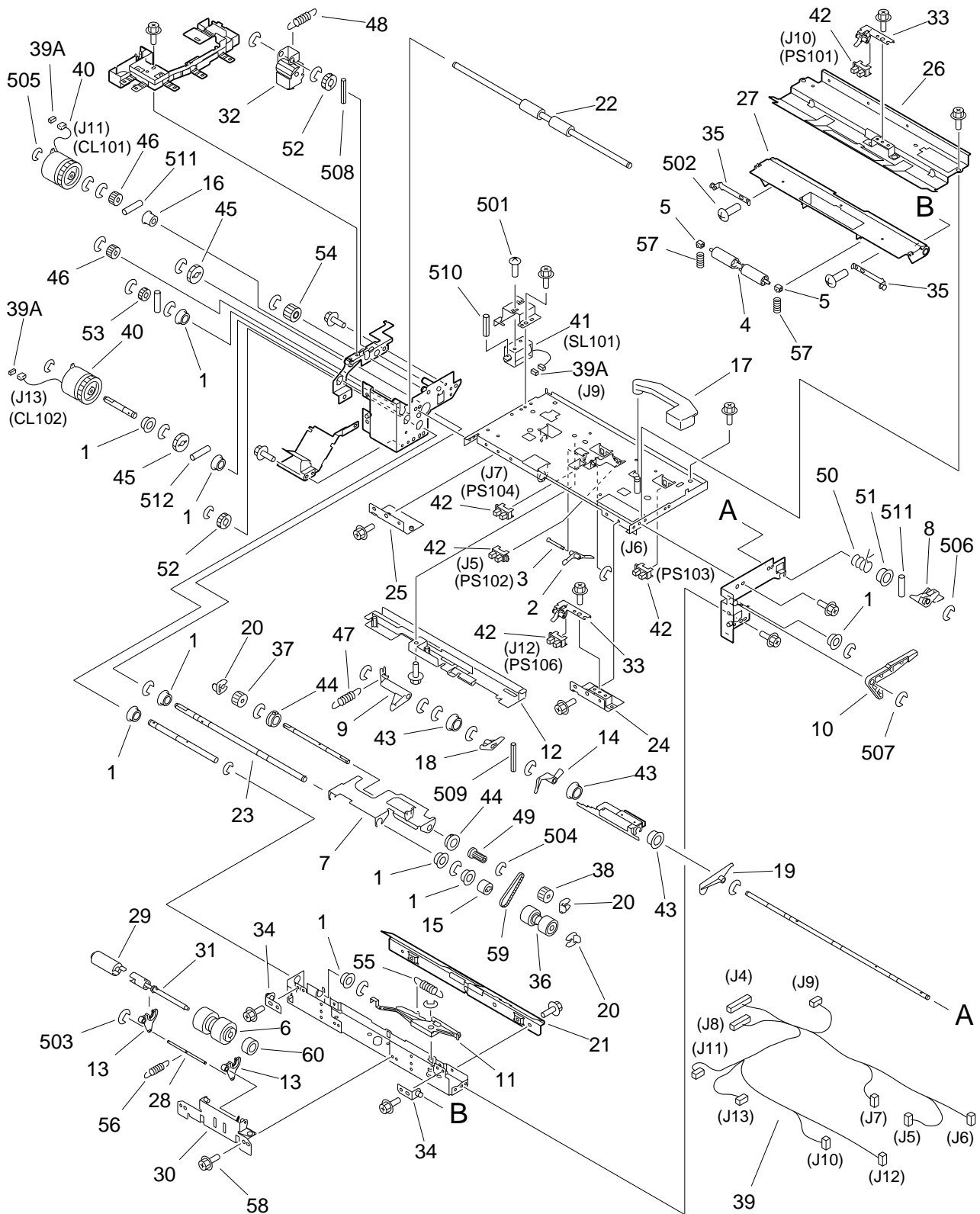
NOTE: This assembly does not include the part shown with key No.33.

FIGURE & KEY NO.	PART NUMBER	RANK	QTY	DESCRIPTION	SERIAL NUMBER / REMARKS
R40 -	FG5 - 9102 - 120		1	PAPER PICK-UP ASSEMBLY	A1 TYPE
1	FA3 - 8727 - 000		3	RING, RETAINING	
2	FA3 - 9120 - 000		2	PIN, GUIDE	
3	FB2 - 7636 - 000		1	GUIDE, INLET	
4	FB2 - 7695 - 000		2	ROLLER, PAPER FEED	
5	FB2 - 7696 - 000		1	COLLAR, PAPER FEED ROLLER	
6	FB2 - 7720 - 000		1	LEVER, PAPER	
7	FB2 - 7721 - 000		1	SHAFT, PAPER LEVER	
8	FB2 - 7754 - 030		1	ROLLER	
9	FB2 - 7755 - 000		2	BUSHING	
10	FB2 - 7777 - 020		1	ROLLER, SEPARATION	
11	FB2 - 8422 - 000		1	TORQUE LIMITER	
12	FB3 - 9184 - 000		2	PLATE, PAPER FEED GUIDE	
13	FB3 - 9185 - 000		1	GUIDE, PAPER, LOWER	
14	FB3 - 9186 - 000		1	GUIDE, PAPER, UPPER	
15	FB3 - 9187 - 000		1	SUPPORT, UPPER GUIDE	
16	FB3 - 9188 - 020		1	PLATE, PAPER PICK-UP	
17	FB3 - 9192 - 020		1	CAM, FRONT	
18	FB3 - 9193 - 020		1	ARM, SOLENOID	
19	FB3 - 9194 - 000		1	ARM, PAPER PICK-UP RELEASE	
20	FB3 - 9195 - 020		1	ARM, SEPARATION RELEASE	
21	FB3 - 9196 - 020		1	LEVER, SEPARATION RELEASE	
22	FB3 - 9197 - 000		2	HOOK, UPPER GUIDE	
23	FB3 - 9198 - 000		1	HANDLE, UPPER GUIDE	
24	FB3 - 9202 - 000		1	HOLDER, CLUTCH STOP	
25	FB3 - 9206 - 000		1	COVER, SENSOR	
26	FB3 - 9207 - 030		2	ARM, SEPARATION ROLLER	
27	FB3 - 9211 - 000		1	ROLLER, PAPER FEED	
28	FB3 - 9214 - 000		1	FLAG, PAPER SENSOR	
29	FB3 - 9216 - 000		1	CLUTCH, ONE-WAY, 1	

FIGURE & KEY NO.	PART NUMBER	RANK	QTY	DESCRIPTION	SERIAL NUMBER / REMARKS
R40 - 30	FB3 - 9217 - 000		1	CLUTCH, ONE-WAY, 2	SEE NOTE
31	FB3 - 9218 - 000		1	GUIDE, CORD	
32	FB3 - 9286 - 020		1	COVER, UPPER GUIDE	
33	FB3 - 9289 - 000		1	LEVER, RELEASE	
34	FB3 - 9713 - 000		1	LEVER, PAPER PICK-UP	
35	FB3 - 9752 - 000		1	LEVER, LIMITER	
36	FB4 - 6227 - 000		1	SHAFT, COUNTER	
37	FF5 - 1220 - 000		1	ROLLER, PICK-UP, FRONT	
38	FF5 - 1221 - 000		1	ROLLER, PICK-UP, REAR	
39	FF5 - 6144 - 000		1	SWING GEAR, 20T	
40	FF5 - 6151 - 000		1	MOUNT, VERT. PATH SENSOR FLAG	
41	FF5 - 6152 - 000		1	MOUNT, PICK-UP SENSOR FLAG	
42	FF5 - 6157 - 020		1	MOUNT, SEPARATION ROLLER	
43	FF5 - 6338 - 000		1	SHAFT, SEPARATION	
44	FG5 - 9289 - 000		1	CABLE, PAPER PICK-UP	
44 A	VS1 - 5057 - 002		3	CONNECTOR, SNAP TIGHT	J12,13,18
44 B	VS1 - 5057 - 003		1	CONNECTOR, SNAP TIGHT	J110
45	FG5 - 9290 - 000		1	CABLE, VERTICAL PATH	J16,110
46	FH7 - 5527 - 000		1	SOLENOID	SL101 J18
47	FH7 - 5729 - 000		2	CLUTCH, ELECTROMAGNETIC	CL101,102 J12,13
48	FH7 - 7312 - 000		6	PHOTO-INTERRUPTER	Q102,105-108,110 J21,15-17,19,101
49	FS1 - 1189 - 000		11	BUSHING	
50	FS1 - 1512 - 000		5	BUSHING	
51	FS2 - 0484 - 000		1	GEAR, 25T	
52	FS2 - 0544 - 000		1	GEAR, 24T	
53	FS5 - 0338 - 000		2	GEAR, 16T	
54	FS5 - 0398 - 000		1	GEAR, 40T	
55	FS5 - 2291 - 000		1	SPRING, TENSION	
56	FS5 - 2885 - 000		2	SPRING, TENSION	
57	FS5 - 2922 - 000		1	SPRING, COMPRESSION	

FIGURE & KEY NO.	PART NUMBER	RANK	QTY	DESCRIPTION	SERIAL NUMBER / REMARKS
R40 - 58	FS5 - 2931 - 000		2	SPRING, COMPRESSION	
59	FS5 - 3333 - 000		1	PULLEY, 16T	
60	FS5 - 7441 - 000		1	SPRING, TORSION	
61	FS5 - 7442 - 000		1	BUSHING	
62	FS6 - 0053 - 020		1	GEAR, 20T	
63	FS6 - 0091 - 000		1	GEAR, 16T	
64	FS6 - 2675 - 000		1	SPRING, TENSION	
65	FS6 - 2678 - 000		1	SPRING, TENSION	
66	XA9 - 0732 - 000		34	SCREW,RS,M4X8	
67	XF9 - 0525 - 000		1	BELT, TIMING, 59T	
68	XG9 - 0242 - 000		1	BEARING, BALL, MR106ZZMC3D4ML	
501	XB1 - 2300 - 409		2	SCREW,MACH.,TRUSS HEAD,M3X4	
502	XB1 - 2400 - 809		3	SCREW,MACH.,TRUSS HEAD,M4X8	
503	XB4 - 7401 - 006		4	SCREW,TAPPING,TRUSS HEAD,M4X10	
504	XD1 - 1108 - 225		1	SHIM	
505	XD2 - 1100 - 242		2	RING,E	
506	XD2 - 1100 - 372		1	RING,E	
507	XD2 - 1100 - 402		2	RING,E	
508	XD2 - 1100 - 502		10	RING,E	
509	XD2 - 1100 - 642		23	RING,E	
510	XD3 - 1200 - 122		1	PIN,SPRING	
511	XD3 - 1200 - 142		1	PIN,SPRING	
512	XD3 - 1300 - 082		1	PIN,SPRING	
513	XD3 - 2200 - 102		2	PIN,DOWEL	
514	XD3 - 2200 - 122		4	PIN,DOWEL	

FIGURE R41 PAPER PICK-UP ASSEMBLY (B1/C1/M1 TYPE)



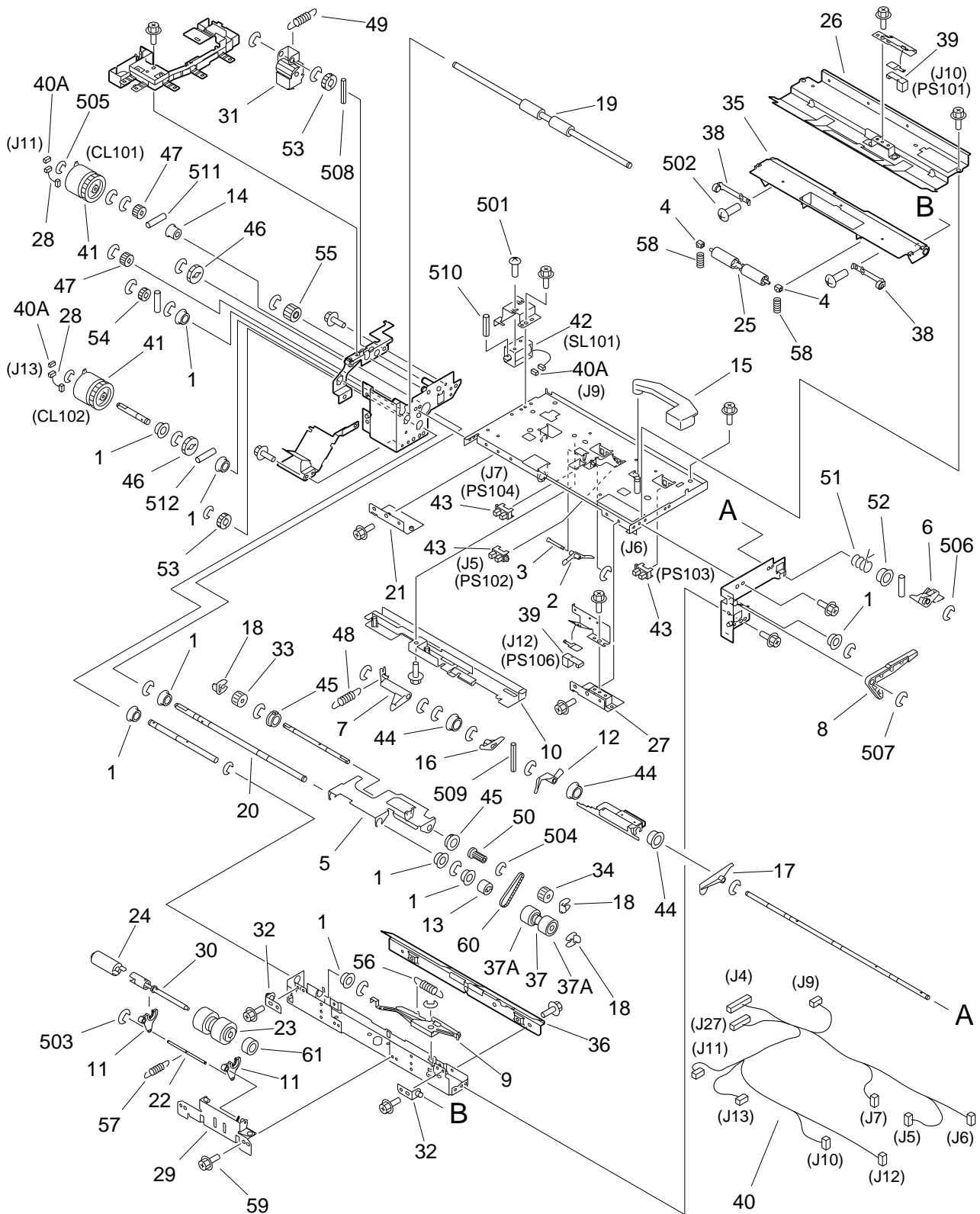
NOTE: This assembly does not include the parts shown with key No. 17.

FIGURE & KEY NO.	PART NUMBER	RANK	QTY	DESCRIPTION	SERIAL NUMBER / REMARKS
R41 -	FG6 - 1631 - 080		1	PAPER PICK-UP ASSEMBLY	B1/C1 TYPE
	FG6 - 7379 - 000		1	PAPER PICK-UP ASSEMBLY	M1 TYPE
	1 FA9 - 2112 - 000		9	BUSHING	
2	FB2 - 7720 - 000		1	LEVER, PAPER	
3	FB2 - 7721 - 000		1	SHAFT, PAPER LEVER	
4	FB2 - 7754 - 030		1	ROLLER	
5	FB2 - 7755 - 000		2	BUSHING	
6	FB2 - 7777 - 020		1	ROLLER, SEPARATION	
7	FB3 - 9188 - 020		1	PLATE, PAPER PICK-UP	
8	FB3 - 9192 - 020		1	CAM, FRONT	
9	FB3 - 9193 - 020		1	ARM, SOLENOID	
10	FB3 - 9195 - 020		1	ARM, SEPARATION RELEASE	
11	FB3 - 9196 - 020		1	LEVER, SEPARATION RELEASE	
12	FB3 - 9206 - 000		1	COVER, SENSOR	
13	FB3 - 9207 - 030		2	ARM, SEPARATION ROLLER	
14	FB3 - 9214 - 000		1	FLAG, PAPER SENSOR	
15	FB3 - 9216 - 000		1	CLUTCH, ONE-WAY, 1	
16	FB3 - 9217 - 000		1	CLUTCH, ONE-WAY, 2	
17	FB3 - 9289 - 000		1	LEVER, RELEASE	SEE NOTE
18	FB3 - 9713 - 000		1	LEVER, PAPER PICK-UP	
19	FB3 - 9752 - 000		1	LEVER, LIMITER	
20	FB4 - 2007 - 000		3	RING, RETAINING	
21	FB4 - 2013 - 000		1	GUIDE, PICK-UP INLET	
22	FB4 - 4868 - 000		1	ROLLER, PAPER FEED	
23	FB4 - 4887 - 000		1	SHAFT, PAPER FEEDER	
24	FB4 - 4898 - 000		1	PLATE, PAPER FEED GUIDE, FRONT	
25	FB4 - 4899 - 000		1	PLATE, PAPER FEED GUIDE, REAR	
26	FB4 - 4900 - 000		1	GUIDE, PAPER, UPPER	
27	FB4 - 4907 - 000		1	GUIDE, PAPER, LOWER	
28	FB4 - 6227 - 000		1	SHAFT, COUNTER	

FIGURE & KEY NO.	PART NUMBER	RANK	QTY	DESCRIPTION	SERIAL NUMBER / REMARKS
R41 - 29	FB6 - 0775 - 000		1	TORQUE, LIMITER	
30	FF5 - 6157 - 020		1	MOUNT, SEPARATION ROLLER	
31	FF5 - 6338 - 000		1	SHAFT, SEPARATION	
32	FF5 - 7529 - 000		1	SWING GEAR, 20T	
33	FF5 - 7530 - 000		2	MOUNT, VERT. PATH SENSOR FLAG	
34	FF5 - 7532 - 000		2	SUPPORT, GUIDE, LOWER	
35	FF5 - 7539 - 000		2	SUPPORT, ROLLER	
36	FF5 - 7541 - 000		1	ROLLER, PAPER FEED	
37	FF5 - 7829 - 000		1	ROLLER, PICK-UP	
38	FF5 - 7830 - 000		1	ROLLER, PICK-UP	
39	FG6 - 1641 - 000		1	CABLE, PAPER PICK-UP	J4-13
39A	VS1 - 5057 - 002		3	CONNECTOR, SNAP TIGHT	J9,11,13
40	FH7 - 5826 - 000		2	CLUTCH, ELECTROMAGNETIC	CL101,102 J11,13
41	FH7 - 5827 - 000		1	SOLENOID	SL101 J9
42	FH7 - 7312 - 000		5	PHOTO-INTERRUPTER	PS101-104,106 J10,5-7,12
43	FS1 - 1512 - 000		3	BUSHING	
44	FS1 - 1569 - 000		2	BUSHING	
45	FS2 - 0484 - 000		2	GEAR, 25T	
46	FS5 - 0338 - 000		2	GEAR, 16T	
47	FS5 - 2291 - 000		1	SPRING, TENSION	
48	FS5 - 2885 - 000		1	SPRING, TENSION	
49	FS5 - 3333 - 000		1	PULLEY, 16T	B1/C1 TYPE
	FB5 - 7005 - 000		1	PULLEY, 18T	M1 TYPE
50	FS5 - 7441 - 000		1	SPRING, TORSION	
51	FS5 - 7442 - 000		1	BUSHING	
52	FS6 - 0053 - 020		2	GEAR, 20T	
53	FS6 - 0091 - 000		1	GEAR, 16T	
54	FS6 - 0907 - 000		1	GEAR, 20T	
55	FS6 - 2675 - 000		1	SPRING, TENSION	
56	FS6 - 2678 - 000		1	SPRING, TENSION	

FIGURE & KEY NO.	PART NUMBER	RANK	QTY	DESCRIPTION	SERIAL NUMBER / REMARKS
R41 - 57	FS6 - 2895 - 000		2	SPRING, COMPRESSION	
58	XA9 - 0732 - 000		27	SCREW,RS,M4X8	
59	XF9 - 0525 - 000		1	BELT, TIMING, 59T	B1/C1 TYPE
	XF9 - 0724 - 000		1	BELT, TIMING	M1 TYPE
60	XG9 - 0242 - 000		1	BEARING, BALL, MR106ZZMC3D4ML	
501	XB1 - 2300 - 409		2	SCREW,MACH.,TRUSS HEAD,M3X4	
502	XB1 - 2400 - 609		2	SCREW,MACH.,TRUSS HEAD,M4X6	
503	XD2 - 1100 - 242		2	RING,E	
504	XD2 - 1100 - 372		1	RING,E	
505	XD2 - 1100 - 402		2	RING,E	
506	XD2 - 1100 - 502		10	RING,E	
507	XD2 - 1100 - 642		17	RING,E	
508	XD3 - 1200 - 122		1	PIN,SPRING	
509	XD3 - 1200 - 142		1	PIN,SPRING	
510	XD3 - 1300 - 082		1	PIN,SPRING	
511	XD3 - 2200 - 102		6	PIN,DOWEL	
512	XD3 - 2200 - 142		1	PIN,DOWEL	

FIGURE R42 PAPER PICK-UP ASSEMBLY (N1 TYPE)



NOTE: This assembly does not include the parts shown with key No. 15.

FIGURE & KEY NO.	PART NUMBER	RANK	QTY	DESCRIPTION	SERIAL NUMBER / REMARKS
R42 -	FG6 - 8788 - 000		1	PAPER PICK-UP ASSEMBLY	N1 TYPE
1	FA9 - 2112 - 000		9	BUSHING	
2	FB2 - 7720 - 000		1	LEVER, PAPER	
3	FB2 - 7721 - 000		1	SHAFT, PAPER LEVER	
4	FB2 - 7755 - 000		2	BUSHING	
5	FB3 - 9188 - 020		1	PLATE, PAPER PICK-UP	
6	FB3 - 9192 - 020		1	CAM, FRONT	
7	FB3 - 9193 - 020		1	ARM, SOLENOID	
8	FB3 - 9195 - 020		1	ARM, SEPARATION RELEASE	
9	FB3 - 9196 - 020		1	LEVER, SEPARATION RELEASE	
10	FB3 - 9206 - 000		1	COVER, SENSOR	
11	FB3 - 9207 - 030		2	ARM, SEPARATION ROLLER	
12	FB3 - 9214 - 000		1	FLAG, PAPER SENSOR	
13	FB3 - 9216 - 000		1	CLUTCH, ONE-WAY, 1	
14	FB3 - 9217 - 000		1	CLUTCH, ONE-WAY, 2	
15	FB3 - 9289 - 000		1	LEVER, RELEASE	SEE NOTE
16	FB3 - 9713 - 000		1	LEVER, PAPER PICK-UP	
17	FB3 - 9752 - 000		1	LEVER, LIMITER	
18	FB4 - 2007 - 000		3	RING, RETAINING	
19	FB4 - 4868 - 000		1	ROLLER, PAPER FEED	
20	FB4 - 4887 - 000		1	SHAFT, PAPER FEEDER	
21	FB4 - 4899 - 000		1	PLATE, PAPER FEED GUIDE, REAR	
22	FB4 - 6227 - 000		1	SHAFT, COUNTER	
23	FB5 - 6586 - 000		1	ROLLER, SEPARATION	
24	FB6 - 0519 - 000		1	TORQUE, LIMITER	
25	FB6 - 2397 - 000		1	ROLLER	
26	FB6 - 2680 - 000		1	GUIDE, PAPER, UPPER	
27	FB6 - 2683 - 000		1	GUIDE PLATE, PAPER FEED, FRONT	
28	FF3 - 4190 - 000		2	CABLE, CLUTCH	J11,13
29	FF5 - 6157 - 020		1	MOUNT, SEPARATION ROLLER	

FIGURE & KEY NO.	PART NUMBER	RANK	QTY	DESCRIPTION	SERIAL NUMBER / REMARKS
R42 - 30	FF5 - 6338 - 000		1	SHAFT, SEPARATION	
31	FF5 - 7529 - 000		1	SWING GEAR, 20T	
32	FF5 - 7532 - 000		2	SUPPORT, GUIDE, LOWER	
33	FF5 - 7829 - 000		1	ROLLER, PICK-UP	
34	FF5 - 7830 - 000		1	ROLLER, PICK-UP	
35	FF6 - 1971 - 000		1	GUIDE, PAPER, LOWER	
36	FF6 - 1972 - 000		1	GUIDE, PICK-UP INLET	
37	FF6 - 1975 - 000		1	ROLLER, PAPER FEED	
37 A	FB6 - 0615 - 000		2	ROLLER, FEED	
38	FF6 - 1976 - 000		2	SUPPORT, ROLLER	
39	FG6 - 8605 - 000		2	OPTICAL SENSOR PCB ASSEMBLY	
40	FG6 - 8793 - 000		1	CABLE, PAPER PICK-UP	J4-7,9-13,27
40 A	VS1 - 5057 - 002		3	CONNECTOR, SNAP TIGHT	J9,11,13
41	FH6 - 5043 - 000		2	CLUTCH, ELECTROMAGNETIC	CL101,102 J11,13
42	FH7 - 5827 - 000		1	SOLENOID	SL101 J9
43	FH7 - 7312 - 000		3	PHOTO-INTERRUPTER	PS102-104 J5-7
44	FS1 - 1512 - 000		3	BUSHING	
45	FS1 - 1569 - 000		2	BUSHING	
46	FS2 - 0484 - 000		2	GEAR, 25T	
47	FS5 - 0338 - 000		2	GEAR, 16T	
48	FS5 - 2291 - 000		1	SPRING, TENSION	
49	FS5 - 2885 - 000		1	SPRING, TENSION	
50	FS5 - 3333 - 000		1	PULLEY, 16T	
51	FS5 - 7441 - 000		1	SPRING, TORSION	
52	FS5 - 7442 - 000		1	BUSHING	
53	FS6 - 0053 - 020		2	GEAR, 20T	
54	FS6 - 0091 - 000		1	GEAR, 16T	
55	FS6 - 0907 - 000		1	GEAR, 20T	
56	FS6 - 2675 - 000		1	SPRING, TENSION	
57	FS6 - 2678 - 000		1	SPRING, TENSION	

FIGURE & KEY NO.	PART NUMBER	RANK	QTY	DESCRIPTION	SERIAL NUMBER / REMARKS
R42 - 58	FS6 - 2895 - 000		2	SPRING, COMPRESSION	
59	XA9 - 0732 - 000		27	SCREW,RS,M4X8	
60	XF9 - 0525 - 000		1	BELT, TIMING, 59T	
61	XG9 - 0242 - 000		1	BEARING, BALL, MR106ZZMC3D4ML	
501	XB1 - 2300 - 409		2	SCREW,MACH.,TRUSS HEAD,M3X4	
502	XB1 - 2400 - 609		2	SCREW,MACH.,TRUSS HEAD,M4X6	
503	XD2 - 1100 - 242		2	RING,E	
504	XD2 - 1100 - 372		1	RING,E	
505	XD2 - 1100 - 402		2	RING,E	
506	XD2 - 1100 - 502		10	RING,E	
507	XD2 - 1100 - 642		17	RING,E	
508	XD3 - 1200 - 122		1	PIN,SPRING	
509	XD3 - 1200 - 142		1	PIN,SPRING	
510	XD3 - 1300 - 082		1	PIN,SPRING	
511	XD3 - 2200 - 102		6	PIN,DOWEL	
512	XD3 - 2200 - 142		1	PIN,DOWEL	

FIGURE RB1 LIST OF CONNECTORS (A1 TYPE)

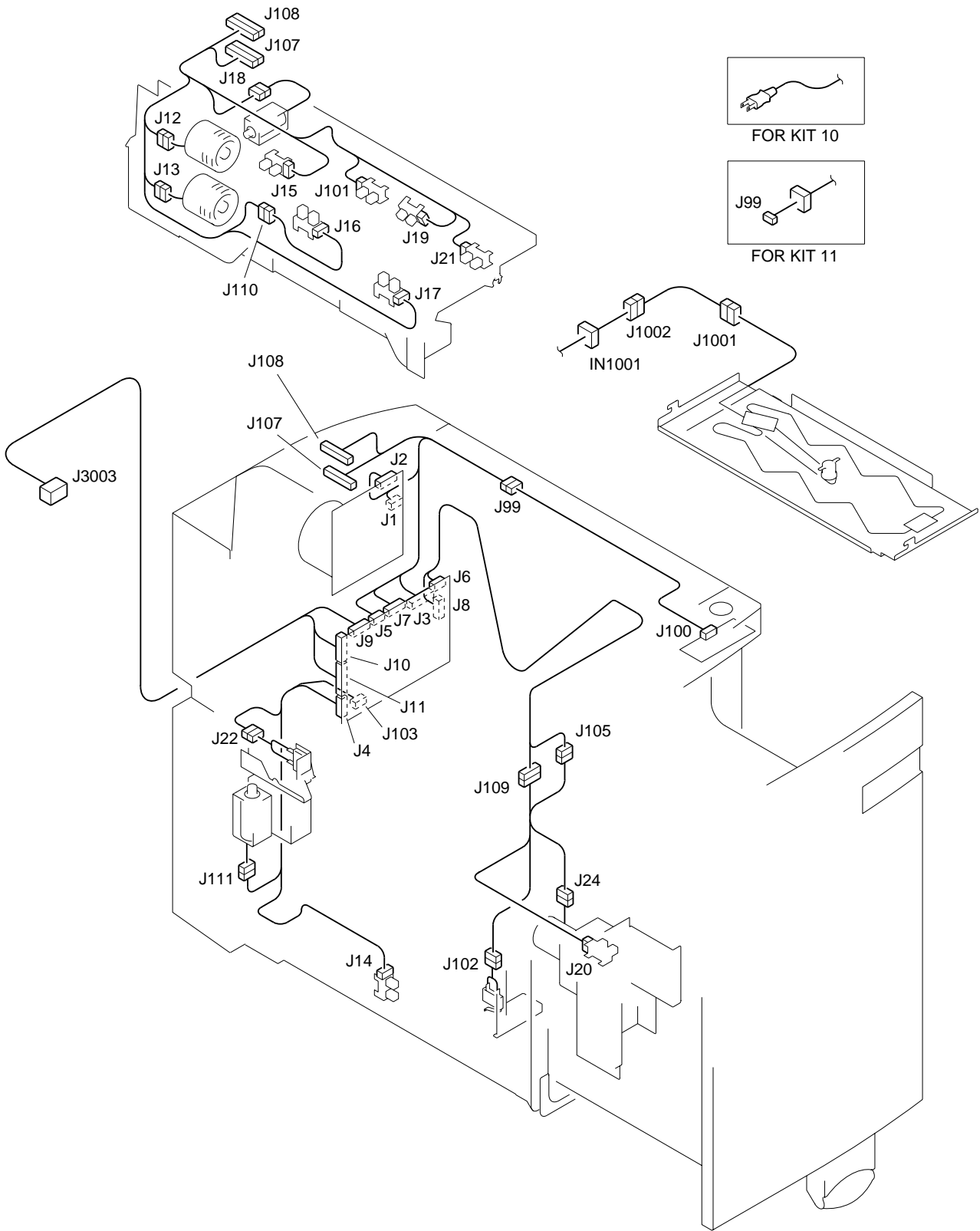


FIGURE & KEY NO.	PART NUMBER	RANK	QTY	DESCRIPTION	SERIAL NUMBER / REMARKS
RB1 -	NPN		RF	LIST OF CONNECTORS	A1 TYPE
I N 1 0 0 1	NPN			POWER CORD SUPPLY	ACCESSORY
	WS5 - 5025 - 000		1	SOCKET, AC	ACCESSORY
J 1	NPN			DECK MAIN MOTOR	M101
	VS3 - 5083 - 002		1	CONNECTOR, 2P, FEMALE	
	WS3 - 5160 - 000		2	SOCKET CONTACT, 18-24AWG	
J 2	NPN			DECK MAIN MOTOR	M101
	VS1 - 0842 - 009		1	CONNECTOR, 9P, FEMALE	
J 3	PCB			SIDE DECK DRIVER	
	VS1 - 0842 - 014		1	CONNECTOR, 14P, FEMALE	
	VS1 - 0852 - 014		1	CONNECTOR, 14P, FEMALE	
	VS9 - 5007 - 028		1	HOLDER, CONNECTOR, 28P	
J 4	PCB			SIDE DECK DRIVER	
	VS1 - 0842 - 006		1	CONNECTOR, 6P, FEMALE	
J 5	PCB			SIDE DECK DRIVER	
	VS3 - 5083 - 002		1	CONNECTOR, 2P, FEMALE	
	WS3 - 5160 - 000		2	SOCKET CONTACT, 18-24AWG	
J 6	PCB			SIDE DECK DRIVER	
	VS1 - 0279 - 003		1	CONNECTOR, 3P, FEMALE	
	WS3 - 0437 - 000		2	SOCKET CONTACT, 20-30AWG	
J 7	PCB			SIDE DECK DRIVER	
	VS1 - 0842 - 009		1	CONNECTOR, 9P, FEMALE	
J 8	PCB			SIDE DECK DRIVER	
	VS1 - 0842 - 005		1	CONNECTOR, 5P, FEMALE	
J 9	PCB			SIDE DECK DRIVER	
	VS3 - 5083 - 003		1	CONNECTOR, 3P, FEMALE	
	WS3 - 5160 - 000		3	SOCKET CONTACT, 18-24AWG	
J 10	PCB			SIDE DECK DRIVER	
	VS1 - 0842 - 011		1	CONNECTOR, 11P, FEMALE	
J 11	PCB			SIDE DECK DRIVER	

FIGURE & KEY NO.	PART NUMBER	RANK	QTY	DESCRIPTION	SERIAL NUMBER / REMARKS
RB1 - J 1 1	VS1 - 0842 - 013		1	CONNECTOR, 13P, FEMALE	
J 1 2	NPN			DECK VERTICAL PATH CLUTCH	CL101
	VS1 - 0842 - 002		1	CONNECTOR, 2P, FEMALE	
	VS1 - 5057 - 002		1	CONNECTOR, SNAP TIGHT	
J 1 3	NPN			DECK PICK-UP CLUTCH	CL102
	VS1 - 0842 - 002		1	CONNECTOR, 2P, FEMALE	
	VS1 - 5057 - 002		1	CONNECTOR, SNAP TIGHT	
J 1 4	NPN			DECK SETTING SENSOR	Q104
	VS1 - 0842 - 003		1	CONNECTOR, 3P, FEMALE	
J 1 5	NPN			DECK PICK-UP GUIDE OPEN SENSOR	Q105
	VS1 - 0842 - 003		1	CONNECTOR, 3P, FEMALE	
J 1 6	NPN			DECK VERTICAL PATH SENSOR	Q106
	VS1 - 0842 - 003		1	CONNECTOR, 3P, FEMALE	
J 1 7	NPN			DECK PICK-UP PAPER SENSOR	Q107
	VS1 - 0842 - 003		1	CONNECTOR, 3P, FEMALE	
J 1 8	NPN			DECK ROLLER RELEASE SOLENOID	SL101
	VS1 - 0842 - 002		1	CONNECTOR, 2P, FEMALE	
	VS1 - 5057 - 002		1	CONNECTOR, SNAP TIGHT	
J 1 9	NPN			DECK PAPER NOTHING SENSOR	Q108
	VS1 - 0842 - 003		1	CONNECTOR, 3P, FEMALE	
J 2 0	NPN			DECK PAPER POSITION SENSOR	Q103
	VS1 - 0842 - 003		1	CONNECTOR, 3P, FEMALE	
J 2 1	NPN			DECK LIFTER UPPER LIMIT SENSOR	Q102
	VS1 - 0842 - 003		1	CONNECTOR, 3P, FEMALE	
J 2 2	VS1 - 0842 - 003		1	CONNECTOR, 3P, FEMALE	
	VS1 - 5057 - 003		1	CONNECTOR, SNAP TIGHT	
	VS1 - 5824 - 003		1	CONNECTOR, 3P, FEMALE	
	WS3 - 5358 - 000		2	SOCKET CONTACT, 22-26AWG	
J 2 4	NPN			DECK LIFTER MOTOR	M102
	VS1 - 0279 - 002		1	CONNECTOR, 2P, FEMALE	

FIGURE & KEY NO.	PART NUMBER	R A N K	Q' T Y	DESCRIPTION	SERIAL NUMBER / REMARKS
RB1 -J 2 4	WS3 - 0437 - 000		2	SOCKET CONTACT, 20-30AWG	
J 9 9	SYS			TO COPIER	FOR KIT 11
	VS1 - 0842 - 004		2	CONNECTOR, 4P, FEMALE	
	VS1 - 5057 - 004		1	CONNECTOR, SNAP TIGHT	
	VS4 - 0001 - 003		1	CONNECTOR, 3P, MALE	FOR KIT 11
	WS4 - 0219 - 000		2	PIN CONTACT, 18-22AWG	FOR KIT 11
J 1 0 0	PCB			OPEN SWITCH	
	VS1 - 0842 - 004		1	CONNECTOR, 4P, FEMALE	
J 1 0 1	NPN			DECK LIFTER POSITION SENSOR	Q110
	VS1 - 0842 - 003		1	CONNECTOR, 3P, FEMALE	
J 1 0 2	VS1 - 0842 - 003		1	CONNECTOR, 3P, FEMALE	
	VS1 - 5057 - 003		1	CONNECTOR, SNAP TIGHT	
	VS1 - 5824 - 003		1	CONNECTOR, 3P, FEMALE	
	WS3 - 5358 - 000		2	SOCKET CONTACT, 22-26AWG	
J 1 0 3	PCB			SIDE DECK DRIVER	
J 1 0 5	VS1 - 0279 - 003		1	CONNECTOR, 3P, FEMALE	
	WS3 - 0469 - 000		2	SOCKET CONTACT, 26-30AWG	
	VS1 - 0279 - 002		1	CONNECTOR, 2P, FEMALE	
	VS1 - 0280 - 002		1	CONNECTOR, 2P, MALE	
	WS3 - 0437 - 000		2	SOCKET CONTACT, 20-30AWG	
J 1 0 7	WS3 - 0885 - 000		2	PIN CONTACT, 20-30AWG	
	VS1 - 0842 - 014		2	CONNECTOR, 14P, FEMALE	
	VS1 - 5057 - 014		1	CONNECTOR, SNAP TIGHT	
J 1 0 8	VS1 - 0842 - 010		2	CONNECTOR, 10P, FEMALE	
	VS1 - 5057 - 010		1	CONNECTOR, SNAP TIGHT	
J 1 0 9	VS1 - 0842 - 005		2	CONNECTOR, 5P, FEMALE	
	VS1 - 5057 - 005		1	CONNECTOR, SNAP TIGHT	
J 1 1 0	VS1 - 0842 - 003		2	CONNECTOR, 3P, FEMALE	
	VS1 - 0842 - 003		1	CONNECTOR, 3P, FEMALE	
	VS1 - 5057 - 003		1	CONNECTOR, SNAP TIGHT	

FIGURE & KEY NO.	PART NUMBER	RANK	QTY	DESCRIPTION	SERIAL NUMBER / REMARKS
RB1-J 111	NPN			DECK OPEN SOLENOID	SL102
	VS1 - 0279 - 002		1	CONNECTOR, 2P, FEMALE	
	WS3 - 0469 - 000		2	SOCKET CONTACT, 26-30AWG	
J 1001	NPN			DECK HEATER	ACCESSORY
	VS4 - 0001 - 003		1	CONNECTOR, 3P, MALE	ACCESSORY
J 1002	WS4 - 0219 - 000		2	PIN CONTACT, 18-22AWG	ACCESSORY
	VS4 - 0001 - 003		1	CONNECTOR, 3P, MALE	ACCESSORY
	VS4 - 0002 - 003		1	CONNECTOR, 3P, FEMALE	ACCESSORY
	WS4 - 0217 - 000		2	SOCKET CONTACT, 22-18AWG	ACCESSORY
	WS4 - 0219 - 000		2	PIN CONTACT, 18-22AWG	ACCESSORY
J 3003	SYS			TO COPIER	
	FH2 - 5822 - 000		24	SOCKET CONTACT, 22-26AWG	
	FH2 - 5826 - 000		4	SOCKET CONTACT, 16-20AWG	
	FH2 - 5828 - 000		1	CONNECTOR, 28P, FEMALE	

FIGURE RB2 LIST OF CONNECTORS (B1/C1/M1/N1 TYPE)

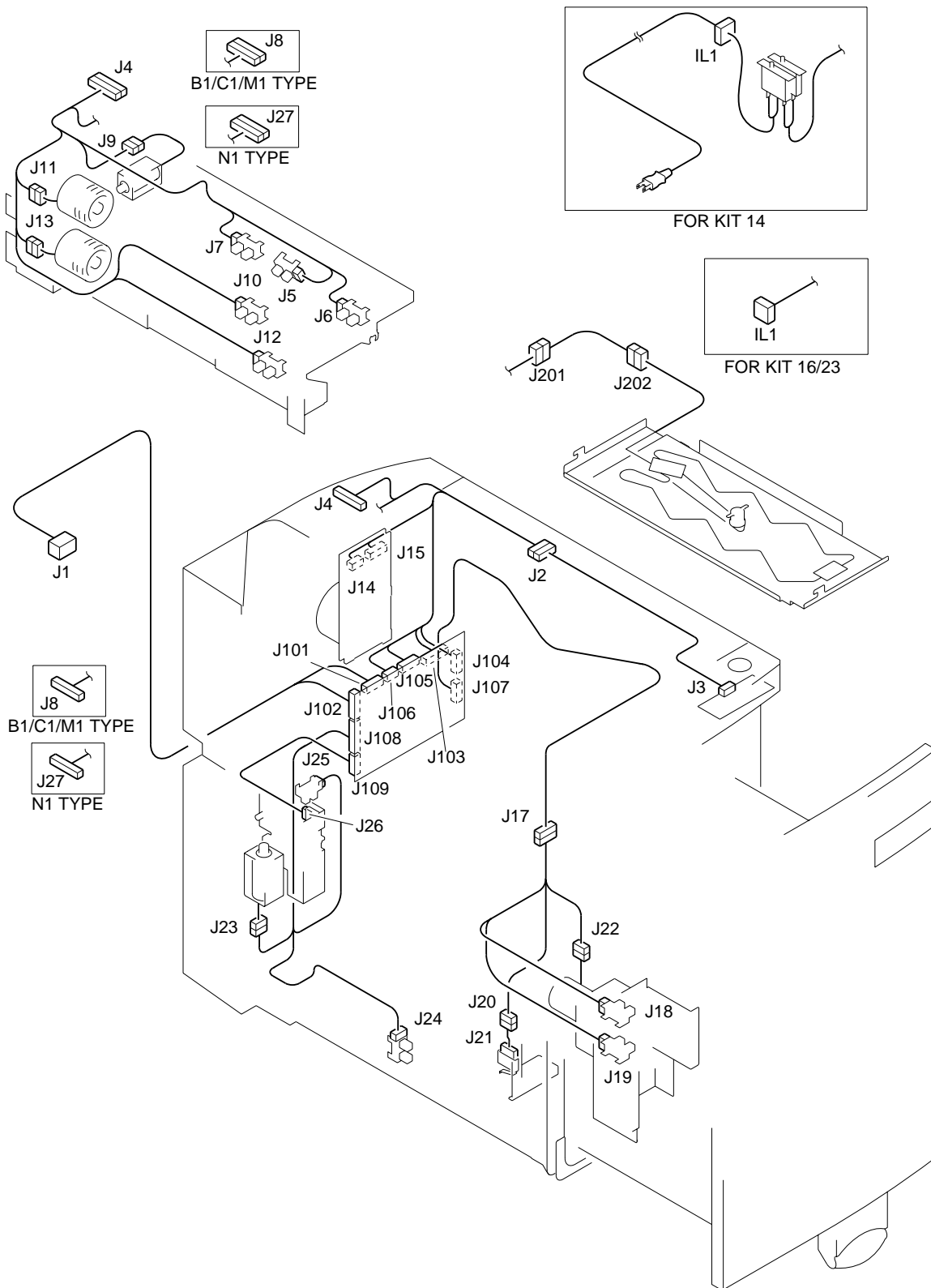


FIGURE & KEY NO.	PART NUMBER	RANK	QTY	DESCRIPTION	SERIAL NUMBER / REMARKS
RB2 -	NPN		RF	LIST OF CONNECTORS	B1/C1/M1/N1 TYPE
I L 1	NPN			POWER CORD SUPPLY	ACCESSORY
	WS5 - 5025 - 000		1	SOCKET, AC	ACCESSORY
J 1	FH2 - 6481 - 000		1	CONNECTOR, 4P, FEMALE	
	SYS			TO COPIER	
	VS1 - 5452 - 008		1	CONNECTOR, 8P, FEMALE	
	WS3 - 5018 - 000		4	SOCKET CONTACT, 18-24AWG	
J 2	VS1 - 5057 - 004		1	CONNECTOR, SNAP TIGHT	
	VS1 - 6321 - 004		2	CONNECTOR, 4P, FEMALE	
J 3	PCB			OPEN SWITCH	
	VS1 - 6321 - 004		1	CONNECTOR, 4P, FEMALE	
J 4	VS1 - 5057 - 010		1	CONNECTOR, SNAP TIGHT	
	VS1 - 6321 - 010		2	CONNECTOR, 10P, FEMALE	
J 5	NPN			DECK PAPER NOTHING SENSOR	PS102
	VS1 - 6321 - 003		1	CONNECTOR, 3P, FEMALE	
J 6	NPN			DECK LIFTER UPPER LIMIT SENSOR	PS103
	VS1 - 6321 - 003		1	CONNECTOR, 3P, FEMALE	
J 7	NPN			DECK LIFTER POSITION SENSOR	PS104
	VS1 - 6321 - 003		1	CONNECTOR, 3P, FEMALE	
J 8	VS1 - 5057 - 014		1	CONNECTOR, SNAP TIGHT	B1/C1/M1 TYPE
J 9	VS1 - 6321 - 014		2	CONNECTOR, 14P, FEMALE	B1/C1/M1 TYPE
	NPN			DECK ROLLER RELEASE SOLENOID	SL101
	VS1 - 5057 - 002		1	CONNECTOR, SNAP TIGHT	
	VS1 - 6321 - 002		1	CONNECTOR, 2P, FEMALE	
J 10	NPN			DECK PICK-UP SENSOR	PS101
J 11	VS1 - 6321 - 003		1	CONNECTOR, 3P, FEMALE	
	NPN			DECK FEED CLUTCH	CL101
	VS1 - 5057 - 002		1	CONNECTOR, SNAP TIGHT	
	VS1 - 6321 - 002		1	CONNECTOR, 2P, FEMALE	
J 12	NPN			DECK FEED SENSOR	PS106

FIGURE & KEY NO.	PART NUMBER	RANK	QTY	DESCRIPTION	SERIAL NUMBER / REMARKS
RB2 -J 1 2	VS1 - 6321 - 003		1	CONNECTOR, 3P, FEMALE	
J 1 3	NPN			DECK PICK-UP CLUTCH	CL102
	VS1 - 5057 - 002		1	CONNECTOR, SNAP TIGHT	
	VS1 - 6321 - 002		1	CONNECTOR, 2P, FEMALE	
J 1 4	NPN			DECK MAIN MOTOR	M101
	VS1 - 6321 - 006		1	CONNECTOR, 6P, FEMALE	
J 1 5	NPN			DECK MAIN MOTOR	M101
	VS3 - 5083 - 002		1	CONNECTOR, 2P, FEMALE	
	WS3 - 5160 - 000		2	SOCKET CONTACT, 18-24AWG	
J 1 7	VS1 - 6372 - 010		1	CONNECTOR, 10P, MALE	
	VS1 - 6373 - 010		1	CONNECTOR, 10P, FEMALE	
	WS3 - 5569 - 000		10	SOCKET CONTACT, 22-28AWG	
	WS3 - 5598 - 000		10	PIN CONTACT	
J 1 8	NPN			DECK PAPER POSITION SENSOR	PS107
	VS1 - 6321 - 003		1	CONNECTOR, 3P, FEMALE	
J 1 9	NPN			DECK PAPER SENSOR	PS108
	VS1 - 6321 - 003		1	CONNECTOR, 3P, FEMALE	
J 2 0	VS1 - 5057 - 003		1	CONNECTOR, SNAP TIGHT	
	VS1 - 6321 - 003		2	CONNECTOR, 3P, FEMALE	
J 2 1	NPN			PAPER STOCK LOWER LIMIT SWITCH	SW102
	RH2 - 5283 - 000		1	CONNECTOR, 3P, FEMALE	
	WS3 - 5419 - 000		2	SOCKET CONTACT, 22-26AWG	
J 2 2	NPN			DECK LIFTER MOTOR	M102
	VS1 - 0279 - 002		1	CONNECTOR, 2P, FEMALE	
	WS3 - 0437 - 000		2	SOCKET CONTACT, 20-30AWG	
J 2 3	NPN			DECK OPEN SOLENOID	SL102
	VS1 - 5057 - 002		1	CONNECTOR, SNAP TIGHT	
	VS1 - 6321 - 002		1	CONNECTOR, 2P, FEMALE	
J 2 4	NPN			DECK SETTING SENSOR	PS105
	VS1 - 6321 - 003		1	CONNECTOR, 3P, FEMALE	

FIGURE & KEY NO.	PART NUMBER	RANK	QTY	DESCRIPTION	SERIAL NUMBER / REMARKS
RB2-J 2 5	NPN			DECK OPEN SENSOR	PS109
	VS1 - 6321 - 003		1	CONNECTOR, 3P, FEMALE	
J 2 6	NPN			PAPER STOCK SWITCH	SW101
	RH2 - 5283 - 000		1	CONNECTOR, 3P, FEMALE	
	WS3 - 5419 - 000		2	SOCKET CONTACT, 22-26AWG	
J 2 7	VS1 - 5057 - 014		1	CONNECTOR, SNAP TIGHT	N1 TYPE
	VS1 - 6321 - 014		2	CONNECTOR, 14P, FEMALE	N1 TYPE
J 1 0 1	PCB			SIDE DECK DRIVER	
	VS3 - 5083 - 003		1	CONNECTOR, 3P, FEMALE	
	WS3 - 5160 - 000		3	SOCKET CONTACT, 18-24AWG	
J 1 0 2	PCB			SIDE DECK DRIVER	
	VS1 - 0842 - 007		1	CONNECTOR, 7P, FEMALE	
J 1 0 3	PCB			SIDE DECK DRIVER	
	VS1 - 6321 - 013		1	CONNECTOR, 13P, FEMALE	
J 1 0 4	PCB			SIDE DECK DRIVER	
J 1 0 5	VS1 - 6321 - 012		1	CONNECTOR, 12P, FEMALE	
	PCB			SIDE DECK DRIVER	
	VS1 - 6321 - 006		1	CONNECTOR, 6P, FEMALE	
J 1 0 6	PCB			SIDE DECK DRIVER	
	VS3 - 5083 - 002		1	CONNECTOR, 2P, FEMALE	
J 1 0 7	WS3 - 5160 - 000		2	SOCKET CONTACT, 18-24AWG	
	PCB			SIDE DECK DRIVER	
	VS1 - 6302 - 010		1	CONNECTOR, 10P, FEMALE	
	WS3 - 5569 - 000		10	SOCKET CONTACT, 22-28AWG	
J 1 0 8	PCB			SIDE DECK DRIVER	
J 1 0 9	VS1 - 6321 - 008		1	CONNECTOR, 8P, FEMALE	
	PCB			SIDE DECK DRIVER	
	VS1 - 6302 - 003		1	CONNECTOR, 3P, FEMALE	
	WS3 - 5569 - 000		2	SOCKET CONTACT, 22-28AWG	
J 2 0 1	VS4 - 0001 - 003		1	CONNECTOR, 3P, MALE	ACCESSORY

FIGURE & KEY NO.	PART NUMBER	RANK	QTY	DESCRIPTION	SERIAL NUMBER / REMARKS
RB2 - J 2 0 1	VS4 - 0002 - 003		1	CONNECTOR, 3P, FEMALE	ACCESSORY
	WS4 - 0217 - 000		2	SOCKET CONTACT, 22-18AWG	ACCESSORY
	WS4 - 0219 - 000		2	PIN CONTACT, 18-22AWG	ACCESSORY
J 2 0 2	NPN			DECK HEATER	ACCESSORY
	VS4 - 0001 - 003		1	CONNECTOR, 3P, MALE	ACCESSORY
	WS4 - 0219 - 000		2	PIN CONTACT, 18-22AWG	ACCESSORY

D NUMERICAL INDEX

PART NUMBER	FIGURE & KEY NO.	PART NUMBER	FIGURE & KEY NO.	PART NUMBER	FIGURE & KEY NO.
FA3 - 8727 - 000	R40 - 1	FB3 - 9211 - 000	R40 - 27	FB3 - 9749 - 000	R12 - 6
FA3 - 9120 - 000	R40 - 2	FB3 - 9214 - 000	R40 - 28	FB3 - 9751 - 000	R10 - 14
FA4 - 1159 - 000	R04 - 1		R41 - 14	FB3 - 9752 - 000	R40 - 35
FA6 - 7751 - 000	R11 - 1		R42 - 12		R41 - 19
	R12 - 1	FB3 - 9216 - 000	R40 - 29		R42 - 17
FA6 - 8257 - 000	R30 - 1		R41 - 15	FB3 - 9883 - 000	R02 - 10
	R31 - 1		R42 - 13	FB3 - 9884 - 000	R02 - 11
FA9 - 2112 - 000	R41 - 1	FB3 - 9217 - 000	R40 - 30		R02 - 12
	R42 - 1		R41 - 16	FB3 - 9886 - 000	R02 - 13
FB1 - 8439 - 000	R04 - 2		R42 - 14	FB3 - 9888 - 000	R02 - 14
FB1 - 8581 - 000	R04 - 3	FB3 - 9218 - 000	R40 - 31	FB3 - 9889 - 000	R01 - 6
FB1 - 8584 - 000	R04 - 2 1 A	FB3 - 9226 - 000	R30 - 4	FB4 - 2007 - 000	R41 - 20
FB2 - 7636 - 000	R40 - 3	FB3 - 9230 - 000	R30 - 5		R42 - 18
FB2 - 7695 - 000	R40 - 4		R31 - 4	FB4 - 2013 - 000	R41 - 21
FB2 - 7696 - 000	R40 - 5	FB3 - 9233 - 000	R30 - 6	FB4 - 3170 - 000	R04 - 14
FB2 - 7720 - 000	R40 - 6	FB3 - 9234 - 000	R11 - 3	FB4 - 3328 - 000	R04 - 15
	R41 - 2		R30 - 7	FB4 - 3329 - 000	R04 - 16
	R42 - 2	FB3 - 9235 - 000	R30 - 8	FB4 - 4867 - 000	R03 - 1
FB2 - 7721 - 000	R40 - 7		R31 - 5		R05 - 1
	R41 - 3	FB3 - 9237 - 000	R30 - 9	FB4 - 4868 - 000	R41 - 22
	R42 - 3		R31 - 6		R42 - 19
FB2 - 7740 - 020	R30 - 2	FB3 - 9238 - 000	R30 - 10	FB4 - 4871 - 000	R12 - 7
	R31 - 2		R31 - 7	FB4 - 4873 - 000	R31 - 20
FB2 - 7750 - 000	R02 - 1	FB3 - 9240 - 000	R30 - 11	FB4 - 4874 - 000	R31 - 21
	R02 - 2		R31 - 8	FB4 - 4877 - 000	R12 - 8
FB2 - 7751 - 000	R02 - 3	FB3 - 9241 - 000	R30 - 12	FB4 - 4878 - 000	R12 - 9
FB2 - 7754 - 030	R02 - 4		R31 - 9	FB4 - 4882 - 000	R31 - 22
	R02 - 5	FB3 - 9242 - 000	R30 - 13	FB4 - 4887 - 000	R41 - 23
	R40 - 8		R31 - 10		R42 - 20
	R41 - 4	FB3 - 9243 - 000	R30 - 14	FB4 - 4898 - 000	R41 - 24
FB2 - 7755 - 000	R02 - 6		R31 - 11	FB4 - 4899 - 000	R41 - 25
	R02 - 7	FB3 - 9244 - 000	R30 - 15		R42 - 21
	R40 - 9		R31 - 12	FB4 - 4900 - 000	R41 - 26
	R41 - 5	FB3 - 9246 - 000	R30 - 16	FB4 - 4907 - 000	R41 - 27
	R42 - 4		R31 - 13	FB4 - 4915 - 000	R03 - 2
FB2 - 7768 - 000	R02 - 16 A	FB3 - 9247 - 000	R30 - 17		R05 - 2
FB2 - 7777 - 020	R40 - 10		R31 - 14	FB4 - 4916 - 000	R03 - 3
	R41 - 6	FB3 - 9254 - 000	R11 - 4		R05 - 3
FB2 - 8021 - 000	R10 - 1	FB3 - 9255 - 000	R11 - 5	FB4 - 4918 - 000	R03 - 4
FB2 - 8293 - 000	R11 - 2	FB3 - 9260 - 000	R11 - 6		R05 - 4
	R12 - 2		R12 - 3	FB4 - 4919 - 000	R03 - 5
FB2 - 8422 - 000	R40 - 11	FB3 - 9261 - 000	R11 - 7		R05 - 5
FB2 - 8507 - 000	R02 - 8		R12 - 4	FB4 - 4920 - 000	R03 - 6
	R02 - 9	FB3 - 9265 - 000	R01 - 1		R05 - 6
FB2 - 9248 - 000	R30 - 3	FB3 - 9267 - 000	R01 - 2	FB4 - 4922 - 000	R12 - 10
	R31 - 3	FB3 - 9268 - 000	R01 - 3	FB4 - 4925 - 000	R10 - 6
FB3 - 2811 - 000	R04 - 4	FB3 - 9270 - 000	R10 - 2	FB4 - 4926 - 000	R10 - 3
FB3 - 2812 - 000	R04 - 5	FB3 - 9281 - 000	R10 - 3	FB4 - 4928 - 000	R31 - 23
FB3 - 2814 - 000	R04 - 6	FB3 - 9283 - 020	R10 - 4	FB4 - 4929 - 000	R12 - 11
FB3 - 2815 - 000	R04 - 7	FB3 - 9284 - 000	R10 - 5	FB4 - 4932 - 000	R03 - 7
FB3 - 2818 - 020	R04 - 8	FB3 - 9285 - 000	R10 - 6		R05 - 7
FB3 - 2819 - 000	R04 - 9	FB3 - 9286 - 020	R40 - 32	FB4 - 4933 - 000	R03 - 8
FB3 - 2821 - 000	R04 - 10	FB3 - 9287 - 000	R10 - 7		R05 - 8
FB3 - 2833 - 000	R04 - 11	FB3 - 9288 - 000	R10 - 8	FB4 - 4937 - 000	R03 - 9
FB3 - 2834 - 000	R04 - 12	FB3 - 9289 - 000	R40 - 33		R05 - 9
FB3 - 2835 - 000	R04 - 13		R41 - 17	FB4 - 4938 - 000	R03 - 10
FB3 - 9184 - 000	R40 - 12		R42 - 15		R05 - 10
FB3 - 9185 - 000	R40 - 13	FB3 - 9290 - 000	R11 - 8	FB4 - 4939 - 000	R03 - 11
FB3 - 9186 - 000	R40 - 14		R12 - 5		R05 - 11
FB3 - 9187 - 000	R40 - 15	FB3 - 9291 - 000	R10 - 9	FB4 - 6227 - 000	R40 - 36
FB3 - 9188 - 020	R40 - 16	FB3 - 9292 - 000	R10 - 10		R41 - 28
	R41 - 7	FB3 - 9293 - 000	R10 - 11		R42 - 22
	R42 - 5	FB3 - 9711 - 000	R10 - 12	FB4 - 6572 - 000	R04 - 17
FB3 - 9192 - 020	R40 - 17	FB3 - 9713 - 000	R40 - 34	FB4 - 6573 - 000	R04 - 18
	R41 - 8		R41 - 18	FB4 - 6574 - 000	R04 - 19
	R42 - 6		R42 - 16	FB4 - 6576 - 000	R03 - 12
FB3 - 9193 - 020	R40 - 18	FB3 - 9714 - 000	R30 - 18	FB4 - 6577 - 000	R03 - 13
	R41 - 9		R31 - 15	FB4 - 6578 - 000	R03 - 14
	R42 - 7	FB3 - 9717 - 000	R30 - 19	FB4 - 6579 - 000	R10 - 15
FB3 - 9194 - 000	R40 - 19	FB3 - 9718 - 000	R01 - 4	FB4 - 6580 - 000	R10 - 16
FB3 - 9195 - 020	R40 - 20	FB3 - 9720 - 000	R30 - 20	FB5 - 0553 - 000	R30 - 24
	R41 - 10		R31 - 16		R31 - 24
	R42 - 8	FB3 - 9723 - 000	R30 - 21	FB5 - 6586 - 000	R42 - 23
FB3 - 9196 - 020	R40 - 21		R31 - 17	FB5 - 7005 - 000	R41 - 49
	R41 - 11	FB3 - 9727 - 000	R11 - 9	FB5 - 7009 - 000	R31 - 25
	R42 - 9	FB3 - 9730 - 000	R11 - 10	FB6 - 0519 - 000	R42 - 24
FB3 - 9197 - 000	R40 - 22	FB3 - 9732 - 000	R10 - 17 A	FB6 - 0615 - 000	R42 - 37 A
FB3 - 9198 - 000	R40 - 23	FB3 - 9735 - 000	R30 - 22	FB6 - 0775 - 000	R41 - 29
FB3 - 9202 - 000	R40 - 24		R31 - 18	FB6 - 2397 - 000	R42 - 25
FB3 - 9206 - 000	R40 - 25	FB3 - 9739 - 000	R11 - 11	FB6 - 2680 - 000	R42 - 26
	R41 - 12	FB3 - 9742 - 000	R30 - 23	FB6 - 2683 - 000	R42 - 27
	R42 - 10		R31 - 19	FE5 - 4132 - 000	R04 - 20
FB3 - 9207 - 030	R40 - 26	FB3 - 9746 - 000	R01 - 5	FF3 - 3462 - 000	R35 - 3
	R41 - 13	FB3 - 9749 - 000	R10 - 13	FF3 - 3463 - 000	R35 - 3
	R42 - 11		R11 - 12	FF3 - 3464 - 000	R35 - 1

D NUMERICAL INDEX

PART NUMBER	FIGURE & KEY NO.	PART NUMBER	FIGURE & KEY NO.	PART NUMBER	FIGURE & KEY NO.
FF3 - 3465 - 000	R35 - 1	FG6 - 1651 - 000	R12 - 18	FS5 - 0338 - 000	R42 - 47
FF3 - 4190 - 000	R42 - 28	FG6 - 1652 - 000	R12 - 19	FS5 - 0398 - 000	R40 - 54
FF5 - 1220 - 000	R40 - 37	FG6 - 2956 - 000	R35 - 2	FS5 - 1209 - 000	R04 - 22
FF5 - 1221 - 000	R40 - 38		R36 - 1	FS5 - 1469 - 020	R01 - 10
FF5 - 4488 - 000	R04 - 21	FG6 - 7379 - 000	R41 -	FS5 - 1595 - 000	R04 - 23
FF5 - 5282 - 030	R30 - 25	FG6 - 7380 - 000	R31 -	FS5 - 1598 - 000	R04 - 24
	R31 - 26	FG6 - 8605 - 000	R42 - 39	FS5 - 2291 - 000	R40 - 55
FF5 - 6144 - 000	R40 - 39	FG6 - 8788 - 000	R42 -		R41 - 47
FF5 - 6148 - 000	R30 - 26	FG6 - 8793 - 000	R42 - 40		R42 - 48
	R31 - 27	FG6 - 8794 - 000	R12 - 14	FS5 - 2885 - 000	R40 - 56
FF5 - 6149 - 000	R01 - 7	FG6 - 8795 - 000	R12 - 18		R41 - 48
FF5 - 6151 - 000	R40 - 40	FH2 - 5274 - 000	R35 - 4		R42 - 49
FF5 - 6152 - 000	R40 - 41	FH2 - 5759 - 000	R35 - 5	FS5 - 2921 - 000	R02 - 17
FF5 - 6156 - 000	R01 - 8	FH2 - 5822 - 000	RB1 - J 3003		R02 - 18
	R03 - 15	FH2 - 5826 - 000	RB1 - J 3003	FS5 - 2922 - 000	R02 - 19
	R05 - 12	FH2 - 5828 - 000	RB1 - J 3003		R02 - 20
FF5 - 6157 - 020	R40 - 42	FH2 - 6481 - 000	RB2 - J 1		R40 - 57
	R41 - 30	FH2 - 6491 - 000	R36 - 4	FS5 - 2931 - 000	R40 - 58
	R42 - 29		R36 - 5	FS5 - 3333 - 000	R40 - 59
FF5 - 6160 - 000	R30 - 27	FH2 - 6492 - 000	R36 - 6		R41 - 49
	R31 - 28		R36 - 7		R42 - 50
FF5 - 6161 - 000	R31 - 29	FH2 - 6565 - 000	R36 - 8	FS5 - 7441 - 000	R40 - 60
FF5 - 6162 - 020	R10 - 17	FH2 - 6584 - 000	R36 - 5		R41 - 50
FF5 - 6163 - 000	R10 - 18	FH2 - 6585 - 000	R36 - 8		R42 - 51
FF5 - 6164 - 020	R10 - 19	FH2 - 6586 - 000	R36 - 7	FS5 - 7442 - 000	R40 - 61
FF5 - 6171 - 000	R30 - 28	FH2 - 6990 - 000	R36 - 9		R41 - 51
	R31 - 30	FH4 - 5724 - 000	R12 - 18 A		R42 - 52
FF5 - 6300 - 000	R02 - 15	FH6 - 1408 - 000	R11 - 19	FS5 - 8618 - 000	R30 - 35
FF5 - 6307 - 000	R02 - 16	FH6 - 1525 - 000	R12 - 20		R31 - 37
FF5 - 6338 - 000	R40 - 43	FH6 - 1893 - 000	R12 - 20	FS5 - 8852 - 000	R10 - 21
	R41 - 31	FH6 - 1953 - 000	R12 - 20	FS6 - 0053 - 020	R40 - 62
	R42 - 30	FH6 - 5043 - 000	R42 - 41		R41 - 52
FF5 - 7511 - 000	R03 - 16	FH7 - 1791 - 020	R30 - 32		R42 - 53
FF5 - 7529 - 000	R41 - 32		R31 - 34	FS6 - 0067 - 000	R12 - 28
	R42 - 31	FH7 - 4542 - 000	R35 - 6	FS6 - 0072 - 000	R11 - 26
FF5 - 7530 - 000	R41 - 33		R36 - 10	FS6 - 0091 - 000	R40 - 63
FF5 - 7532 - 000	R41 - 34	FH7 - 4543 - 000	R35 - 6		R41 - 53
	R42 - 32		R36 - 10		R42 - 54
FF5 - 7535 - 000	R12 - 12	FH7 - 4584 - 000	R35 - 6	FS6 - 0578 - 000	R04 - 25
FF5 - 7536 - 000	R12 - 13		R36 - 10	FS6 - 0722 - 000	R30 - 36
FF5 - 7537 - 000	R05 - 13	FH7 - 4585 - 000	R35 - 6		R31 - 38
FF5 - 7538 - 000	R05 - 14		R36 - 10	FS6 - 0907 - 000	R41 - 54
FF5 - 7539 - 000	R41 - 35	FH7 - 4610 - 000	R36 - 10		R42 - 55
FF5 - 7541 - 000	R41 - 36	FH7 - 5323 - 000	R11 - 20	FS6 - 0909 - 000	R30 - 37
FF5 - 7829 - 000	R41 - 37	FH7 - 5527 - 000	R40 - 46		R31 - 39
	R42 - 33	FH7 - 5729 - 000	R40 - 47	FS6 - 0910 - 000	R11 - 27
	R41 - 38	FH7 - 5826 - 000	R41 - 40	FS6 - 0911 - 000	R10 - 22
	R42 - 34	FH7 - 5827 - 000	R41 - 41	FS6 - 0912 - 000	R10 - 23
FF6 - 1971 - 000	R42 - 35		R42 - 42	FS6 - 0913 - 000	R10 - 24
FF6 - 1972 - 000	R42 - 36	FH7 - 5828 - 000	R12 - 21	FS6 - 2308 - 000	R04 - 26
FF6 - 1975 - 000	R42 - 37	FH7 - 7301 - 000	R35 - 7	FS6 - 2337 - 000	R04 - 27
FF6 - 1976 - 000	R42 - 38		R36 - 11	FS6 - 2593 - 000	R11 - 28
FG5 - 9102 - 120	R40 -	FH7 - 7312 - 000	R11 - 21		R12 - 29
FG5 - 9103 - 070	R30 -		R12 - 22	FS6 - 2673 - 000	R30 - 38
FG5 - 9108 - 020	R11 - 13		R12 - 23		R31 - 40
FG5 - 9288 - 000	R10 - 20		R30 - 33	FS6 - 2674 - 000	R11 - 29
FG5 - 9289 - 000	R40 - 44		R31 - 35		R12 - 30
FG5 - 9290 - 000	R40 - 45		R40 - 48	FS6 - 2675 - 000	R40 - 64
FG5 - 9291 - 000	R30 - 29		R41 - 42		R41 - 55
FG5 - 9292 - 000	R30 - 30		R42 - 43		R42 - 56
FG5 - 9293 - 000	R11 - 14	FS1 - 1189 - 000	R11 - 22	FS6 - 2676 - 000	R11 - 30
FG5 - 9294 - 000	R11 - 15		R12 - 24		R12 - 31
FG5 - 9295 - 000	R11 - 16		R40 - 49	FS6 - 2677 - 000	R10 - 25
FG5 - 9359 - 000	R35 - 2	FS1 - 1512 - 000	R40 - 50	FS6 - 2678 - 000	R40 - 65
	R36 - 1		R41 - 43		R41 - 56
FG5 - 9361 - 000	R11 - 17		R42 - 44		R42 - 57
	R30 - 31	FS1 - 1569 - 000	R41 - 44	FS6 - 2679 - 000	R01 - 11
	R11 - 18		R42 - 45	FS6 - 2790 - 000	R04 - 28
FG5 - 9687 - 000	R35 - 3	FS1 - 9002 - 000	R01 - 9	FS6 - 2791 - 000	R04 - 29
FG5 - 9688 - 000	R35 - 3		R03 - 17	FS6 - 2895 - 000	R41 - 57
FG6 - 1114 - 000	R36 - 2		R05 - 15		R42 - 58
FG6 - 1115 - 000	R36 - 2	FS1 - 9009 - 000	R11 - 23	FS6 - 2897 - 000	R03 - 18
FG6 - 1116 - 000	R36 - 3		R12 - 25		R05 - 16
FG6 - 1117 - 000	R36 - 3	FS2 - 0450 - 000	R30 - 34	FS6 - 8412 - 000	R10 - 21
FG6 - 1631 - 080	R41 -		R31 - 36	FS7 - 0177 - 000	R12 - 32
FG6 - 1632 - 000	R31 -	FS2 - 0484 - 000	R40 - 51	FS7 - 8288 - 000	R10 - 26
FG6 - 1641 - 000	R41 - 39		R41 - 45	FU3 - 0256 - 000	R12 - 28
FG6 - 1642 - 000	R31 - 31		R42 - 46	FU3 - 0257 - 000	R12 - 32
FG6 - 1643 - 000	R12 - 14	FS2 - 0544 - 000	R11 - 24	RH2 - 5283 - 000	RB2 - J 21
FG6 - 1644 - 000	R12 - 15		R12 - 26		RB2 - J 26
FG6 - 1645 - 000	R12 - 16		R40 - 52	VD7 - 0502 - 001	R11 - 31
FG6 - 1646 - 000	R12 - 17	FS2 - 9343 - 000	R11 - 25		R35 - 8
FG6 - 1647 - 000	R31 - 32		R12 - 27	VS1 - 0279 - 002	RB1 - J 24
FG6 - 1649 - 000	R31 - 33	FS5 - 0338 - 000	R40 - 53		RB1 - J 105
FG6 - 1650 - 000	R12 - 18		R41 - 46		RB1 - J 111

D NUMERICAL INDEX

PART NUMBER	FIGURE & KEY NO.	PART NUMBER	FIGURE & KEY NO.	PART NUMBER	FIGURE & KEY NO.
VS1 - 0279 - 002	RB2 - J 2 2	VS1 - 6321 - 003	RB2 - J 2 5	XA9 - 0732 - 000	R01 - 13
VS1 - 0279 - 003	RB1 - J 6	VS1 - 6321 - 004	RB2 - J 2		R02 - 21
	RB1 - J 10 3		RB2 - J 3		R03 - 19
VS1 - 0280 - 002	RB1 - J 10 5	VS1 - 6321 - 006	RB2 - J 14		R03 - 20
VS1 - 0842 - 002	RB1 - J 12		RB2 - J 10 5		R05 - 17
	RB1 - J 13	VS1 - 6321 - 008	RB2 - J 10 8		R05 - 18
	RB1 - J 18	VS1 - 6321 - 010	RB2 - J 4		R10 - 28
VS1 - 0842 - 003	RB1 - J 14	VS1 - 6321 - 012	RB2 - J 10 4		R10 - 29
	RB1 - J 15	VS1 - 6321 - 013	RB2 - J 10 3		R10 - 30
	RB1 - J 16	VS1 - 6321 - 014	RB2 - J 8		R11 - 36
	RB1 - J 17		RB2 - J 27		R11 - 37
	RB1 - J 19	VS1 - 6372 - 010	RB2 - J 17		R12 - 38
	RB1 - J 20	VS1 - 6373 - 010	RB2 - J 17		R12 - 39
	RB1 - J 21	VS3 - 5083 - 002	RB1 - J 1		R30 - 41
	RB1 - J 22		RB1 - J 5		R30 - 42
	RB1 - J 10 1		RB2 - J 15		R31 - 43
	RB1 - J 10 2		RB2 - J 10 6		R31 - 44
	RB1 - J 11 0	VS3 - 5083 - 003	RB1 - J 9		R40 - 66
	RB1 - J 11 0		RB2 - J 10 1		R41 - 58
VS1 - 0842 - 004	RB1 - J 9 9	VS4 - 0001 - 003	RB1 - J 9 9		R42 - 59
	RB1 - J 10 0		RB1 - J 10 0 1	XA9 - 0949 - 000	R11 - 38
VS1 - 0842 - 005	RB1 - J 8		RB1 - J 10 0 2		R12 - 40
	RB1 - J 10 9		RB2 - J 20 1	XB1 - 2231 - 009	R11 - 50 1
VS1 - 0842 - 006	RB1 - J 4		RB2 - J 20 2		R12 - 50 1
VS1 - 0842 - 007	RB2 - J 10 2	VS4 - 0002 - 003	RB1 - J 10 0 2		R30 - 50 1
VS1 - 0842 - 009	RB1 - J 2		RB2 - J 20 1		R31 - 50 1
	RB1 - J 7	VS9 - 5007 - 028	RB1 - J 3	XB1 - 2300 - 409	R11 - 50 2
VS1 - 0842 - 010	RB1 - J 10 8	VT2 - 0002 - 003	R11 - 32		R35 - 50 1
VS1 - 0842 - 011	RB1 - J 10		R12 - 34		R35 - 50 2
VS1 - 0842 - 013	RB1 - J 11	WC4 - 0153 - 000	R30 - 39		R36 - 50 1
VS1 - 0842 - 014	RB1 - J 3		R31 - 41		R40 - 50 1
VS1 - 0852 - 014	RB1 - J 10 7	WC4 - 5148 - 000	R11 - 33		R41 - 50 1
VS1 - 5057 - 002	RB1 - J 3	WC4 - 5153 - 000	R12 - 35		R42 - 50 1
	R12 - 33	WC8 - 0222 - 000	R11 - 13 A	XB1 - 2300 - 806	R10 - 50 2
	R40 - 44 A	WD3 - 5057 - 000	R11 - 31	XB1 - 2400 - 409	R35 - 50 3
	R41 - 39 A		R35 - 8		R36 - 50 2
	R42 - 40 A	WS3 - 0437 - 000	RB1 - J 6	XB1 - 2400 - 609	R01 - 50 1
	RB1 - J 12		RB1 - J 24		R03 - 50 1
	RB1 - J 13		RB1 - J 10 5		R05 - 50 1
	RB1 - J 18		RB2 - J 22		R11 - 50 3
	RB2 - J 9	WS3 - 0469 - 000	RB1 - J 10 3		R11 - 50 4
	RB2 - J 11		RB1 - J 11 1		R12 - 50 2
	RB2 - J 13	WS3 - 0885 - 000	RB1 - J 10 5		R30 - 50 2
	RB2 - J 23	WS3 - 5018 - 000	RB2 - J 1		R31 - 50 2
VS1 - 5057 - 003	R11 - 17 A	WS3 - 5160 - 000	RB1 - J 1		R31 - 50 3
	R30 - 31 A		RB1 - J 5		R41 - 50 2
	R31 - 31 A		RB1 - J 9		R42 - 50 2
	R40 - 44 B		RB2 - J 15	XB1 - 2400 - 806	R10 - 50 3
	RB1 - J 2 2		RB2 - J 10 1		R10 - 50 4
	RB1 - J 10 2		RB2 - J 10 6		R11 - 50 5
	RB1 - J 11 0	WS3 - 5358 - 000	RB1 - J 22		R12 - 50 3
	RB2 - J 20		RB1 - J 10 2	XB1 - 2400 - 809	R03 - 50 2
VS1 - 5057 - 004	R11 - 14 A	WS3 - 5419 - 000	RB2 - J 21		R04 - 50 1
	R12 - 14 A		RB2 - J 26		R10 - 50 5
	RB1 - J 9 9	WS3 - 5569 - 000	RB2 - J 17		R11 - 50 6
	RB2 - J 2		RB2 - J 10 7		R12 - 50 4
VS1 - 5057 - 005	R30 - 29 A		RB2 - J 10 9		R30 - 50 3
	RB1 - J 10 9	WS3 - 5598 - 000	RB2 - J 17		R40 - 50 2
VS1 - 5057 - 010	R11 - 14 B	WS4 - 0217 - 000	RB1 - J 10 0 2	XB1 - 2401 - 207	R01 - 50 2
	R12 - 14 B		RB2 - J 20 1		R03 - 50 3
	RB1 - J 10 8	WS4 - 0219 - 000	RB1 - J 9 9		R05 - 50 2
	RB2 - J 4		RB1 - J 10 0 1	XB4 - 7301 - 209	R10 - 50 6
VS1 - 5057 - 014	R11 - 14 C		RB1 - J 10 0 2		R10 - 50 7
	R12 - 14 C		RB2 - J 20 1	XB4 - 7400 - 609	R02 - 50 1
	RB1 - J 10 7		RB2 - J 20 2		R02 - 50 2
	RB2 - J 8	WS5 - 5025 - 000	RB1 - I N 10 0 1	XB4 - 7400 - 807	R10 - 50 8
	RB2 - J 27		RB2 - I L 1		R10 - 50 9
VS1 - 5452 - 008	RB2 - J 1	WT2 - 5041 - 000	R35 - 9	XB4 - 7401 - 006	R04 - 50 2
VS1 - 5824 - 003	RB1 - J 2 2		R36 - 12		R10 - 51 0
	RB1 - J 10 2	WT2 - 5169 - 000	R11 - 34		R40 - 50 3
VS1 - 6302 - 003	RB2 - J 10 9	WT2 - 5410 - 000	R12 - 36	XB4 - 7401 - 009	R04 - 50 3
VS1 - 6302 - 010	RB2 - J 10 7	X62 - 6825 - 000	R11 - 35	XB6 - 2400 - 808	R30 - 50 4
VS1 - 6321 - 002	RB2 - J 9	XA9 - 0266 - 000	R35 - 10		R31 - 50 4
	RB2 - J 11		R35 - 11	XB6 - 7300 - 309	R02 - 50 3
	RB2 - J 13		R35 - 12		R02 - 50 4
	RB2 - J 23		R36 - 13	XB6 - 7300 - 409	R11 - 50 7
VS1 - 6321 - 003	RB2 - J 5		R36 - 14		R12 - 50 5
	RB2 - J 6		R36 - 15		R35 - 50 4
	RB2 - J 7	XA9 - 0628 - 000	R35 - 13		R36 - 50 3
	RB2 - J 10		R36 - 16	XB6 - 7400 - 609	R30 - 50 5
	RB2 - J 12	XA9 - 0643 - 000	R10 - 27		R31 - 50 5
	RB2 - J 18	XA9 - 0721 - 000	R30 - 40	XB6 - 7400 - 809	R30 - 50 6
	RB2 - J 19		R31 - 42		R30 - 50 7
	RB2 - J 20	XA9 - 0724 - 000	R12 - 37		R31 - 50 6
	RB2 - J 24	XA9 - 0732 - 000	R01 - 12		R31 - 50 7

D NUMERICAL INDEX

PART NUMBER	FIGURE & KEY NO.	PART NUMBER	FIGURE & KEY NO.	PART NUMBER	FIGURE & KEY NO.
XD1 - 1108 - 225	R40 - 504				
XD1 - 4200 - 402	R11 - 508				
	R12 - 506				
XD2 - 1100 - 242	R02 - 505				
	R02 - 506				
	R30 - 508				
	R31 - 508				
	R40 - 505				
	R41 - 503				
	R42 - 503				
XD2 - 1100 - 372	R40 - 506				
	R41 - 504				
	R42 - 504				
XD2 - 1100 - 402	R40 - 507				
	R41 - 505				
	R42 - 505				
XD2 - 1100 - 502	R10 - 511				
	R11 - 509				
	R12 - 507				
	R30 - 509				
	R31 - 509				
	R40 - 508				
	R41 - 506				
	R42 - 506				
XD2 - 1100 - 642	R10 - 512				
	R11 - 510				
	R12 - 508				
	R12 - 509				
	R30 - 510				
	R30 - 511				
	R31 - 510				
	R31 - 511				
	R40 - 509				
	R41 - 507				
	R42 - 507				
XD2 - 2100 - 602	R04 - 504				
XD2 - 2101 - 002	R11 - 511				
XD2 - 2300 - 402	R10 - 501				
XD3 - 1200 - 122	R40 - 510				
	R41 - 508				
	R42 - 508				
XD3 - 1200 - 142	R40 - 511				
	R41 - 509				
	R42 - 509				
XD3 - 1300 - 082	R40 - 512				
	R41 - 510				
	R42 - 510				
XD3 - 1300 - 102	R11 - 512				
	R12 - 510				
XD3 - 2160 - 162	R04 - 505				
XD3 - 2200 - 102	R40 - 513				
	R41 - 511				
	R42 - 511				
XD3 - 2200 - 122	R30 - 512				
	R31 - 512				
	R40 - 514				
XD3 - 2200 - 142	R41 - 512				
	R42 - 512				
XD3 - 2200 - 182	R30 - 513				
	R31 - 513				
XD9 - 0104 - 000	R04 - 30				
XD9 - 0134 - 000	R04 - 31				
XF9 - 0525 - 000	R40 - 67				
	R41 - 59				
	R42 - 60				
XF9 - 0642 - 000	R10 - 31				
XF9 - 0724 - 000	R41 - 59				
XG3 - 6012 - 405	R30 - 43				
	R31 - 45				
XG9 - 0242 - 000	R40 - 68				
	R41 - 60				
	R42 - 61				
XG9 - 0250 - 000	R30 - 44				
	R31 - 46				

Prepared by
OFFICE IMAGING PRODUCTS QUALITY ASSURANCE CENTER

CANON INC.
Printed in Japan

REVISION 0 [MAR. 1997]
REVISION 1 [MAY 1998]
REVISION 2 [NOV. 1998]
REVISION 3 [APR. 2001]
REVISION 4 [AUG. 2001]

5-1, Hakusan 7-chome, Toride-city, Ibaraki 302-8501, Japan



This publication is
printed on 100%
recycled paper.

Canon